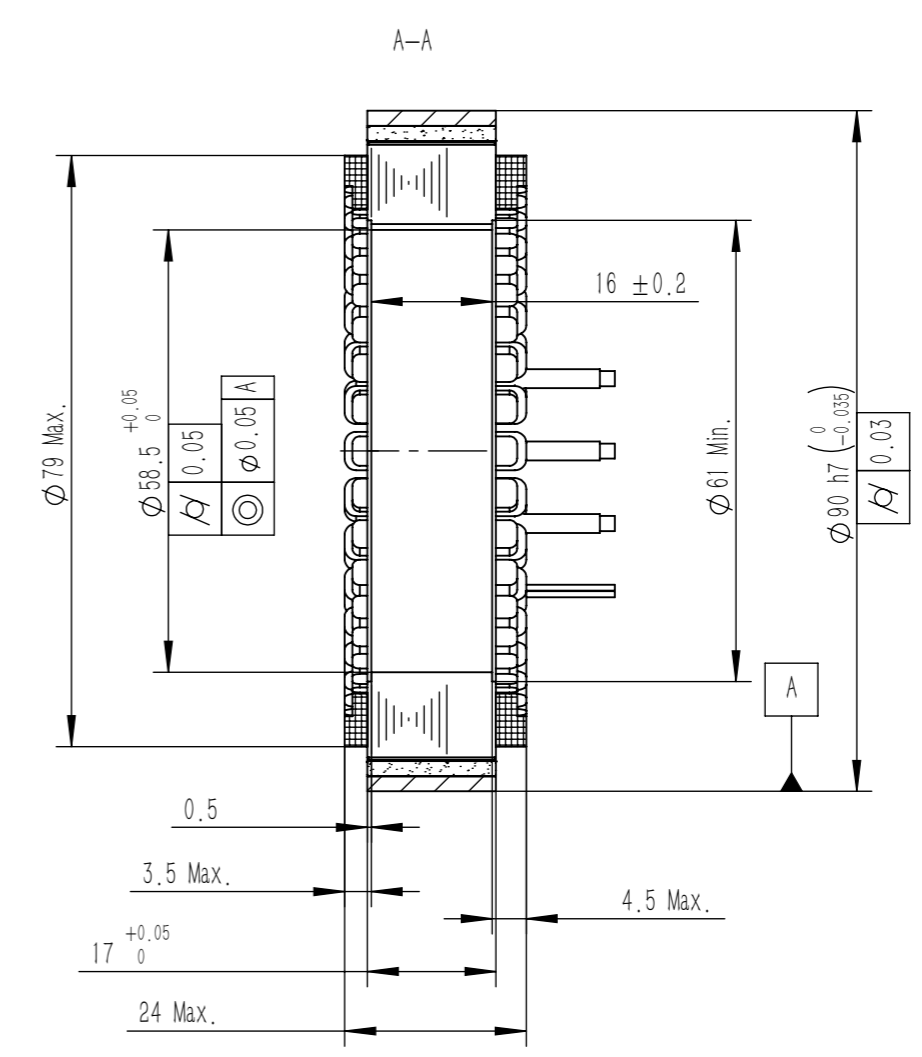
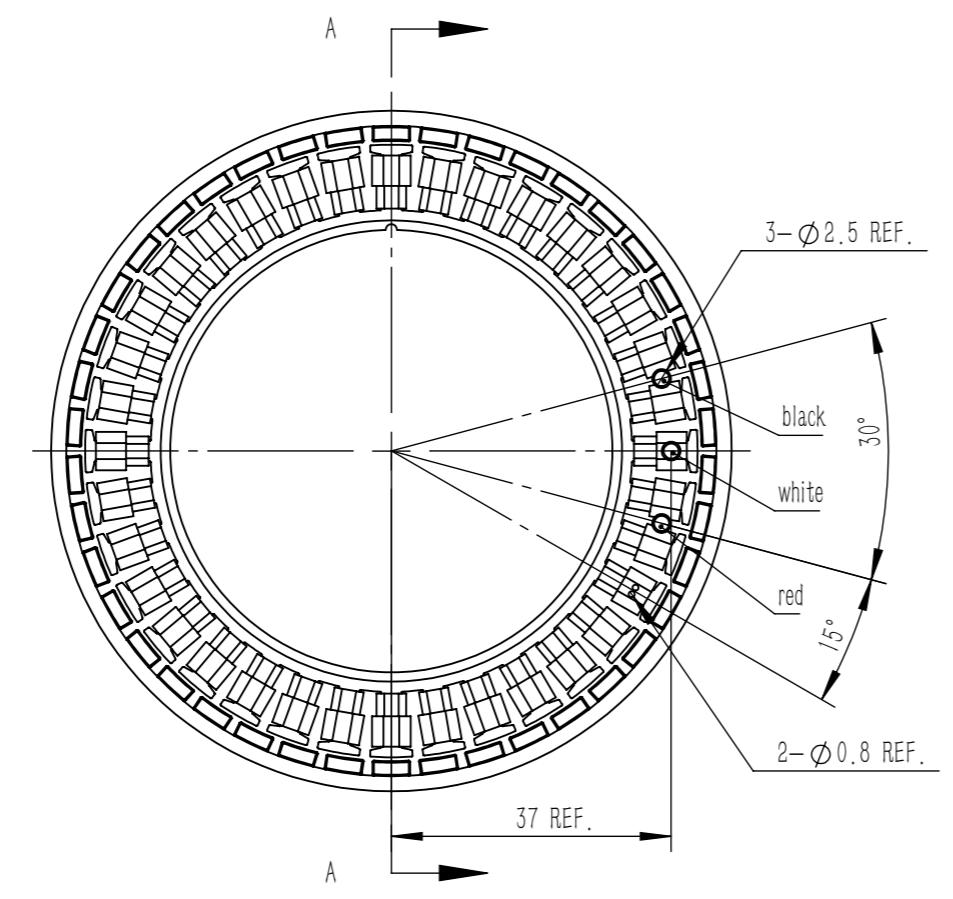


标记	处数	更改内容	版本	签名	时间

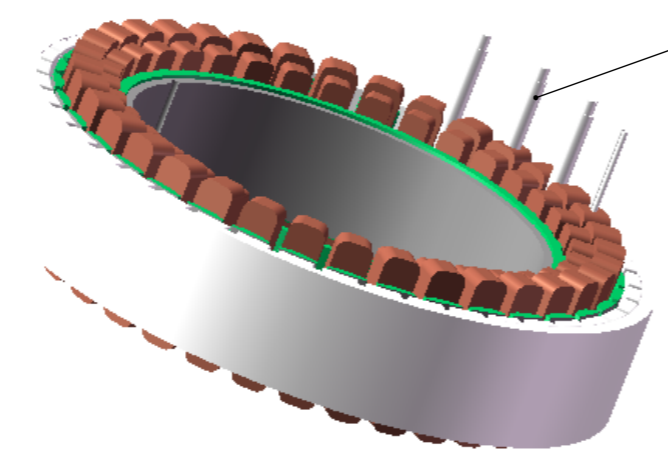


零件代号

借(通)用件登记

Motor Parameter

Model	UE9024
Voltage (V)	48V DC
Rated output (W)	917.00
Rated torque (Nm)	3.5
Instant max torque (Nm)	8.9
Rated current (Arms)	20
Instant max current (Arms)	60
Rated speed (Rpm)	2500
Max speed (Rpm)	3097
Torque constant (Nm/Arms)	0.18
Rotor inertia (kg.cm ²)	1.6
Back EMF coefficient (V/Krpm)	15.5
Resistance (Ω)	0.18
Inductance (mH)	0.08
Number of pole-pairs (P)	21



Wire: #14AWG black, white, red, corresponding to V, W, W
 Wire length 250mm
 Temperature control wire: #26AWG, yellow and green wires, length: 250mm
 Temperature Coefficient Thermistor: CA-NTC24C018

Basic Size	Selection Level				Angle
	A	B	C	D	
≤5	±0.02	±0.03	±0.05		0°~30° ±0.1°
>5~20	±0.03	±0.05	±0.1		31°~60° ±0.3°
>20~50	±0.05	±0.1	±0.15		61°~90° ±0.5°
>50~100	±0.1	±0.15	±0.2		
>100	±0.1%	±0.15%	±0.2%		

No.	WI-UE9024DJA01	Describe	UE9024 Frameless Torque Motor	
Materials		Sheet	Number	Versions
Date	2026/4/3	A3	1	A
Design	Fenghua Wang	Page- / Pages-		
Check		MOSRAC		
Approve				

