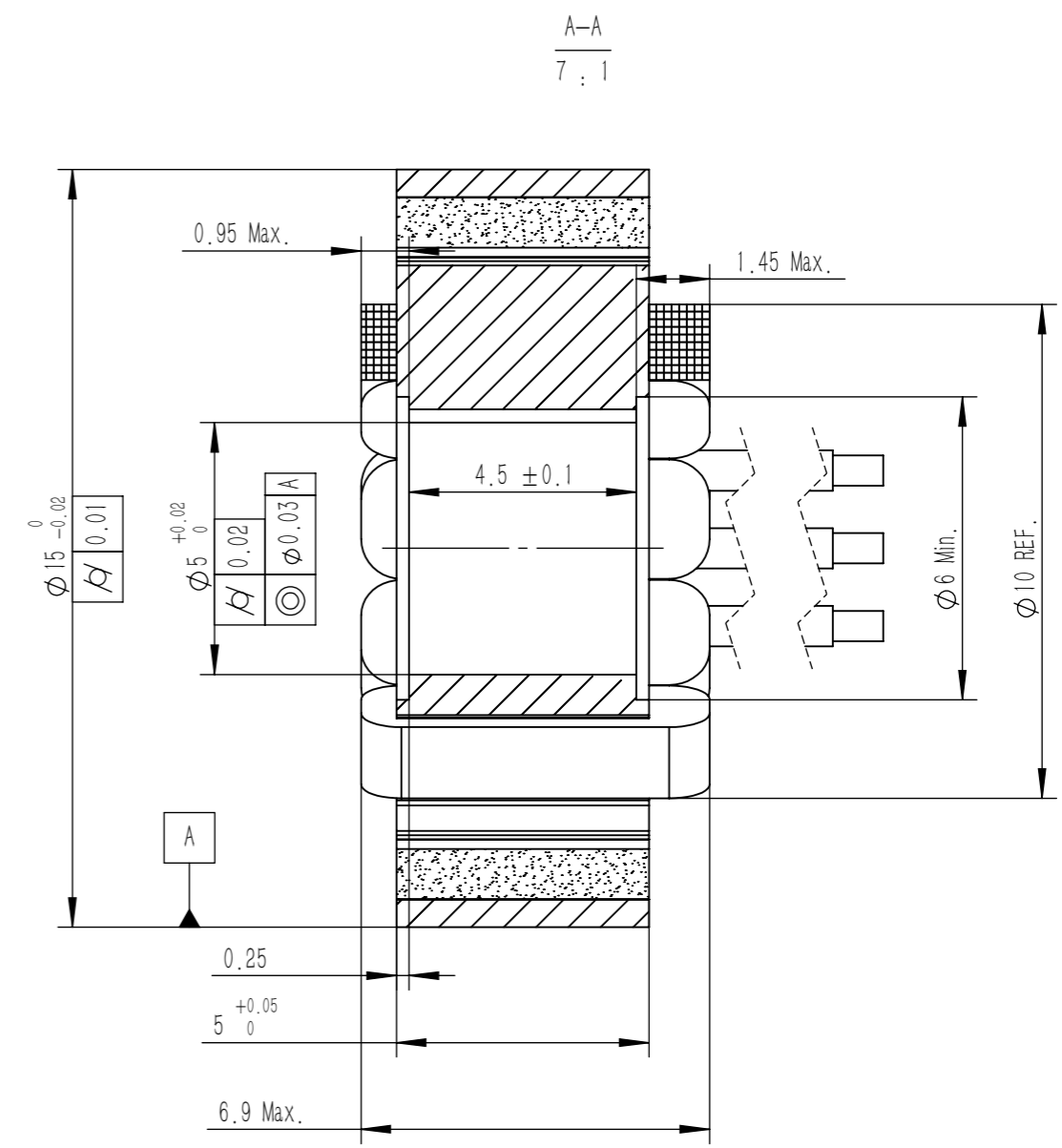
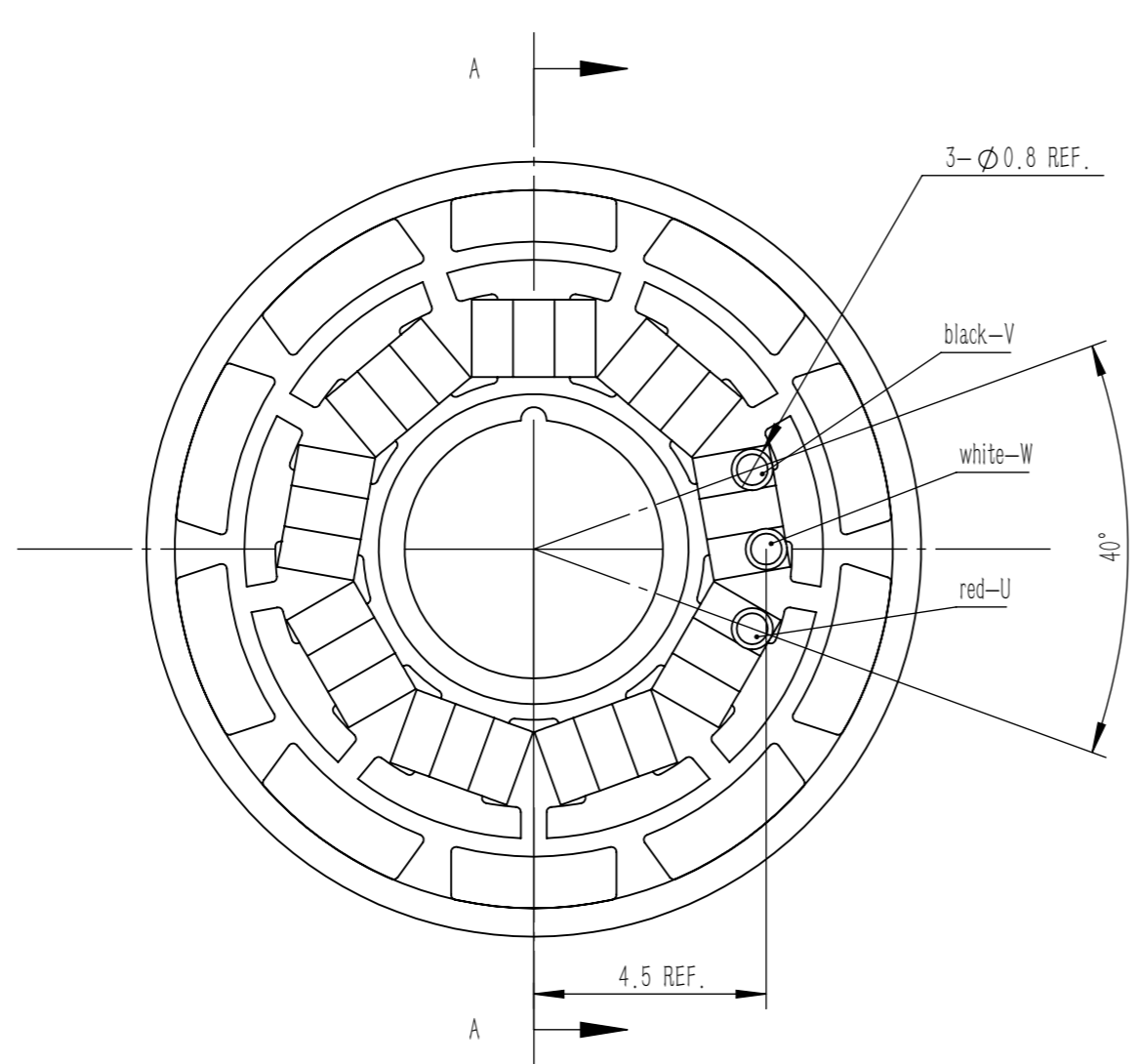


标记	处数	更改内容	版本	签名	时间

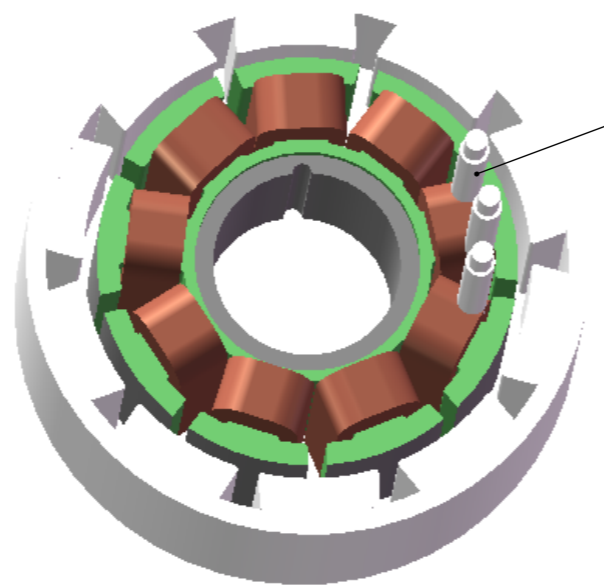


零件代号

借(通)用件登记

Motor Parameter

Model	UE1506
Voltage (V)	24V DC
Rated output (W)	2.75
Rated torque (Nm)	0.0035
Instant max torque (Nm)	0.01
Rated current (Arms)	0.3
Instant max current (Arms)	0.85
Rated speed (Rpm)	7500
Max speed (Rpm)	11400
Torque constant (Nm/Arms)	0.01
Rotor inertia (kg.m ²)	0.0006
Back EMF coefficient (V/Krpm)	1.05
Resistance (Ω)	10
Inductance (mH)	0.42
Number of pole-pairs (P)	5



Wire: #26AWG black, white, red, corresponding to V, W, U
Wire length 250mm

Basic Size	Selection Level				Angle
	A	B	C	D	
≤5	±0.02	±0.03	±0.05		0°~30° ±0.1°
>5~20	±0.03	±0.05	±0.1		31°~60° ±0.3°
>20~50	±0.05	±0.1	±0.15		61°~90° ±0.5°
>50~100	±0.1	±0.15	±0.2		
>100	±0.1%	±0.15%	±0.2%		

No.	WI-UE1506DJA01	Describe	UE1506 Frameless Torque Motor	
Materials		Sheet	Number	Versions
Date	2026/4/3	A3	1	A
Design	Fenghua Wang	Page- / Pages-		
Check		MOSRAC		
Approve				

