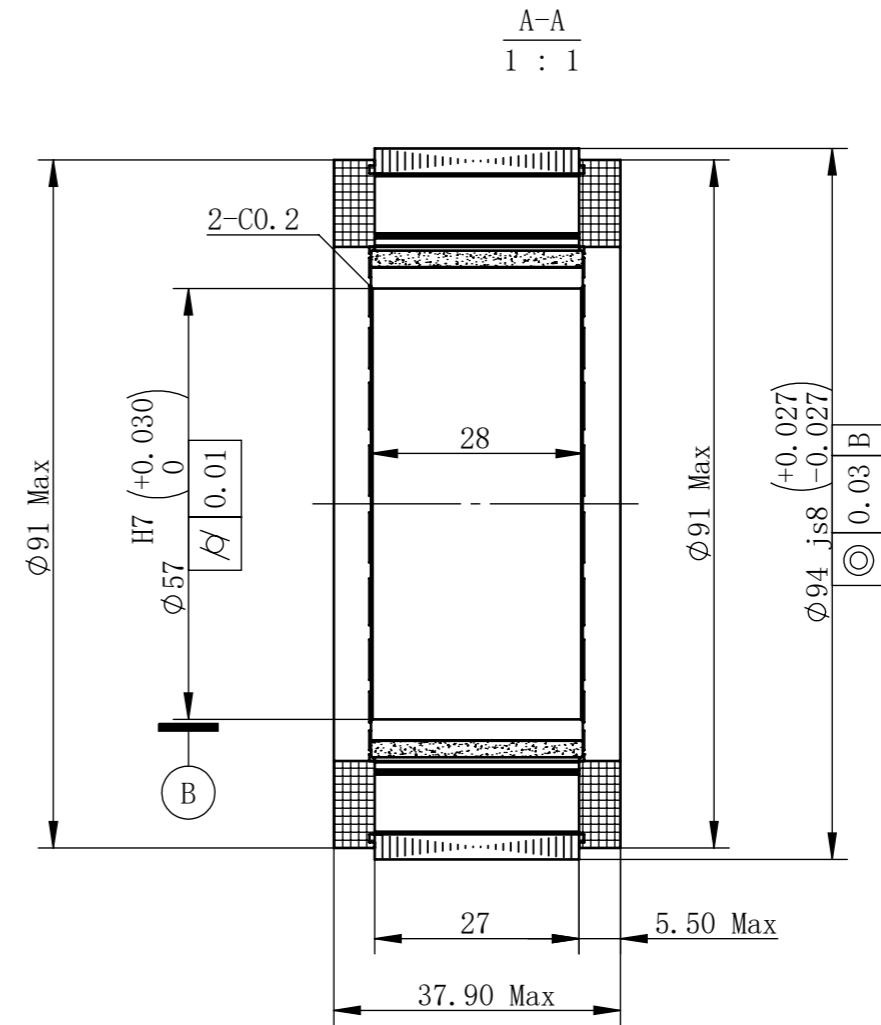
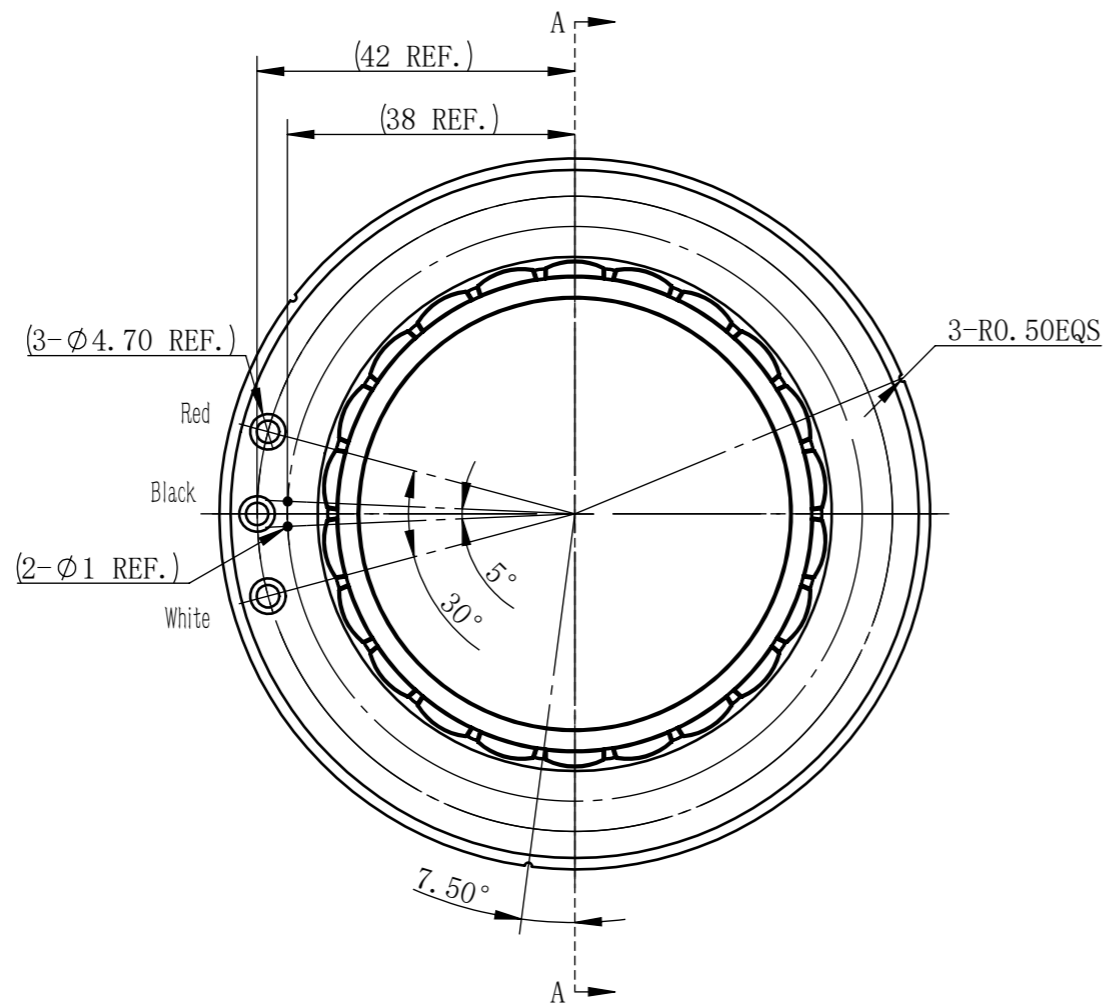
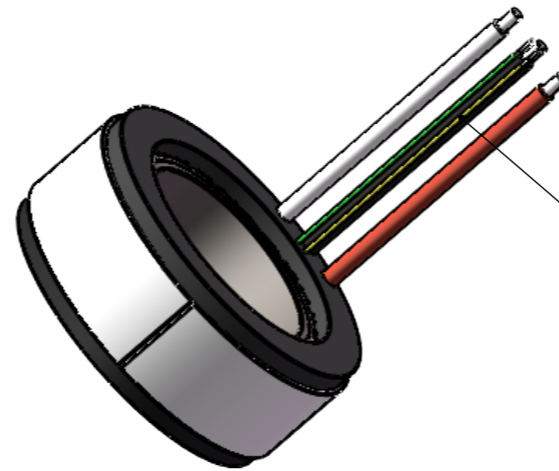


保密



Model	U9437
DC voltage (VDC)	48
Rated output (W)	1162
Rated torque (N.m)	3.7
Rated current(A)	28
Rated speed (rpm)	3000
Maximum speed (rpm)	4500
Instant max torque (N.m)	9
Instant max current (A)	70
Coil resistance (ohms@20°C)	0.055
Coil inductance (mH)	0.3
Torque parameters (Nm/A)	0.132
Back EMF coefficient (Vrms/KRPM)	8.3
Number of pole-pairs (2P)	11
Rotor inertia (Kg.cm ²)	1.808
Winding connection way	△



Cable: #12AWG red, black, white, corresponding to U, V, W
 Wire length 250mm
 Temperature control wire: #26AWG, yellow and green wires, length: 250mm
 Temperature Coefficient Thermistor: CA-NTC24C018

								MOSRAC 强和电机			
								Drawing Sign	Version	V1.0	U9437 Frameless Torque Motor
Marker	Place number	Drawing Zone	Rev. No.	Signature	Month-Day-Year			Weight		WI-YF-U9437DJA01	
Designer	LZB	2026/1/12	Unification					Scale		MOSRAC Motor R&D Department	
Checker			Process Engineer								
Technical	CMH	2026/1/12	Approval					Sheet 1 of 1		Perspective	