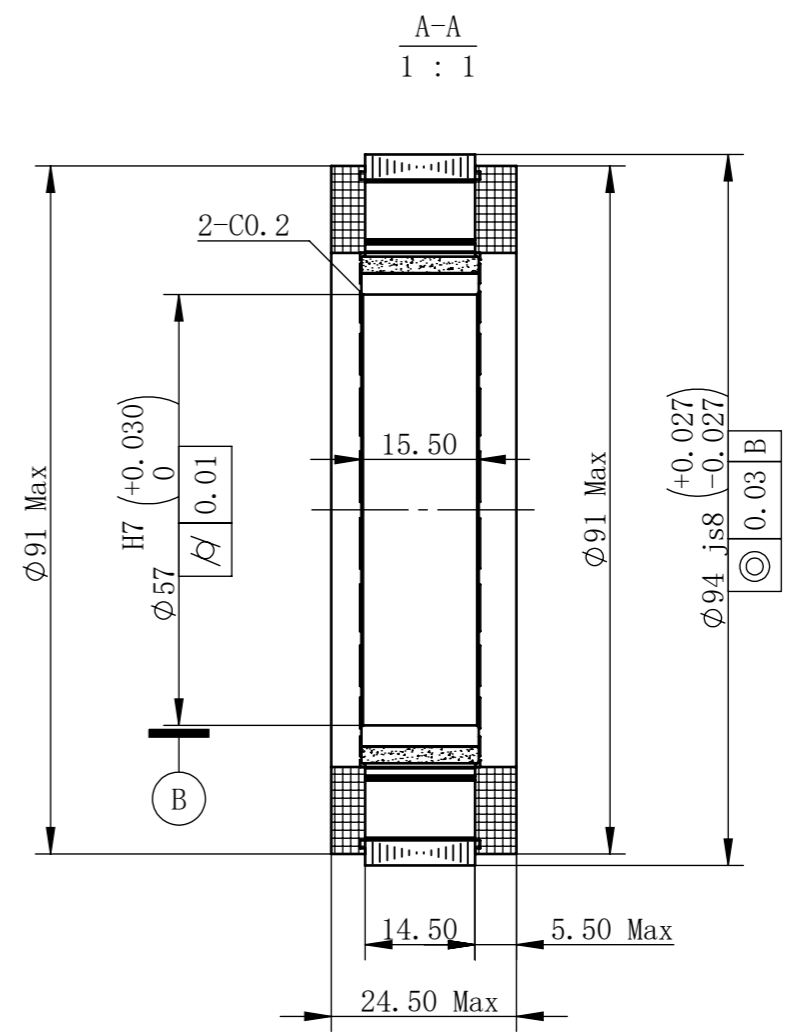
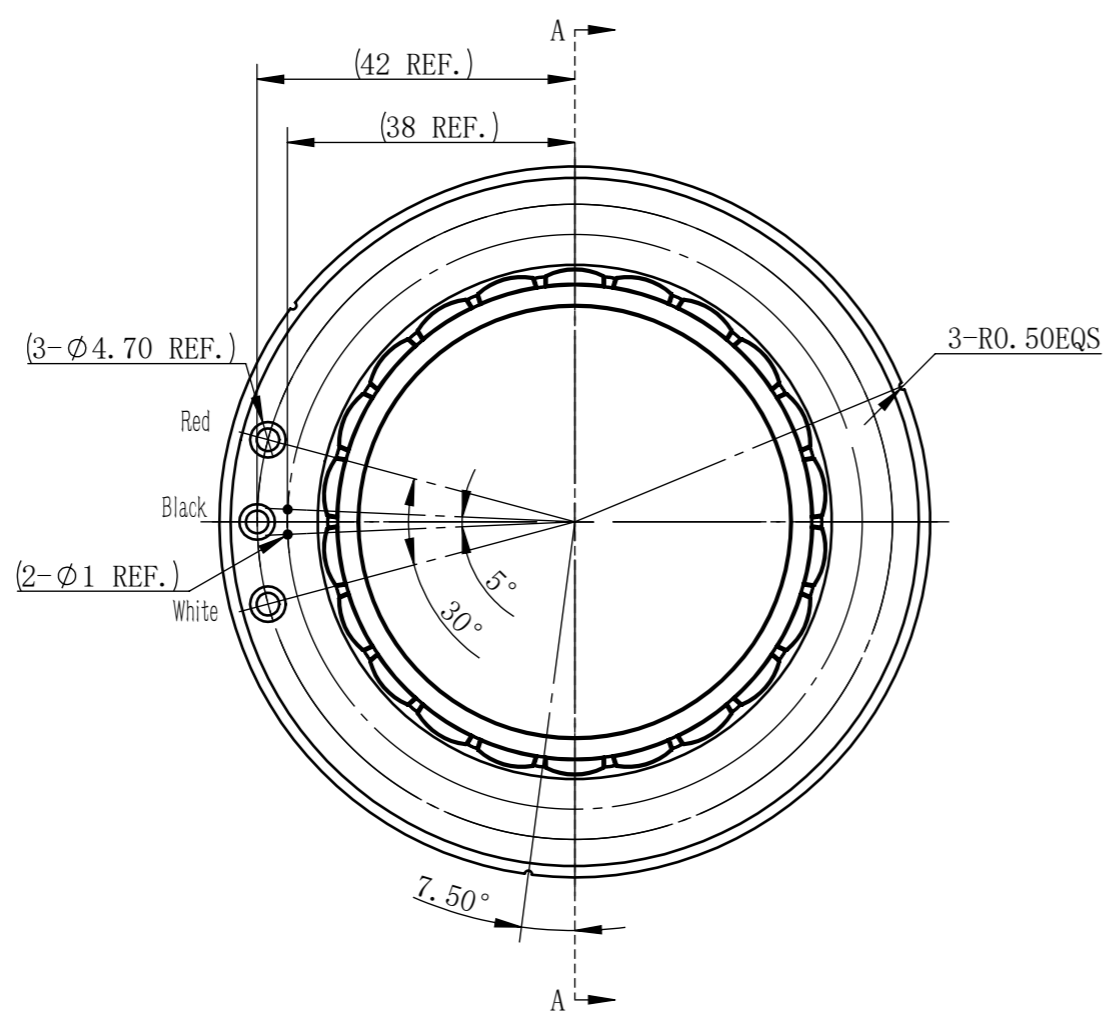
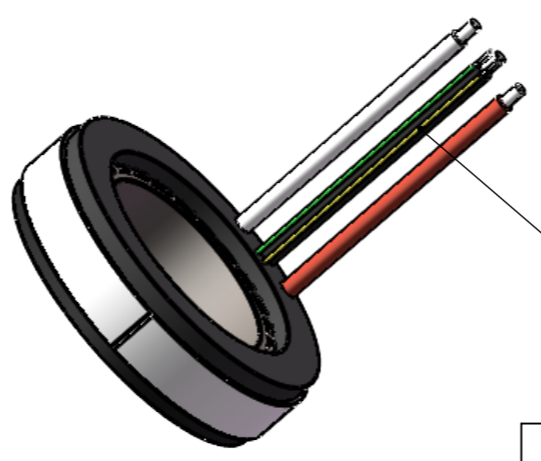


保密



Model	U9424
DC voltage (VDC)	48
Rated output (W)	660
Rated torque (N.m)	2.1
Rated current(A)	16.5
Rated speed (rpm)	3000
Maximum speed (rpm)	4500
Instant max torque (N.m)	6.3
Instant max current (A)	49.5
Coil resistance (ohms@20°C)	0.113
Coil inductance (mH)	0.5
Torque parameters (Nm/A)	0.127
Back EMF coefficient (Vrms/KRPM)	7.5
Number of pole-pairs (2P)	11
Rotor inertia (Kg.cm <sup>2</sup> )	1.0
Winding connection way	△



Cable: #12AWG red, black, white, corresponding to U, V, W  
 Wire length 250mm  
 Temperature control wire: #26AWG, yellow and green wires, length: 250mm  
 Temperature Coefficient Thermistor: CA-NTC24C018

								<b>MOSRAC 强和电机</b>			
								Drawing Sign	Version	V1.0	U9424 Frameless Torque Motor
Marker	Place number	Drawing Zone	Rev. No.	Signature	Month-Day-Year			Weight		WI-YF-U9424JA01	
Designer	LZB	2026/1/12	Unification					Scale		MOSRAC Motor R&D Department	
Checker			Process Engineer								
Technical	CMH	2026/1/12	Approval					Sheet 1 of 1		Perspective	