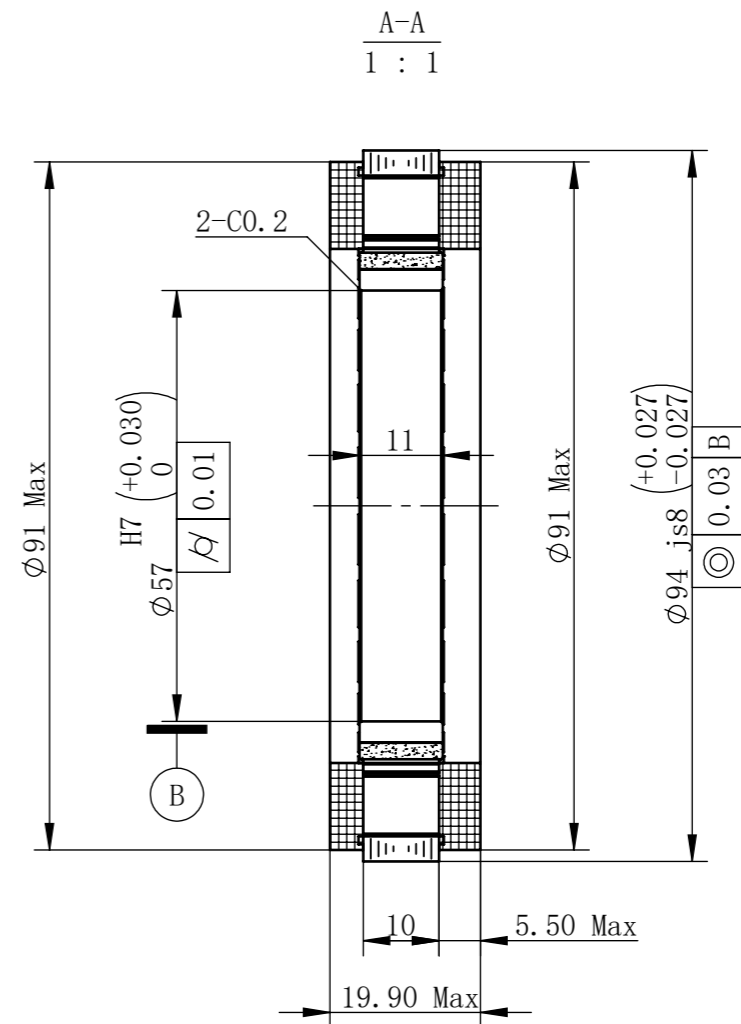
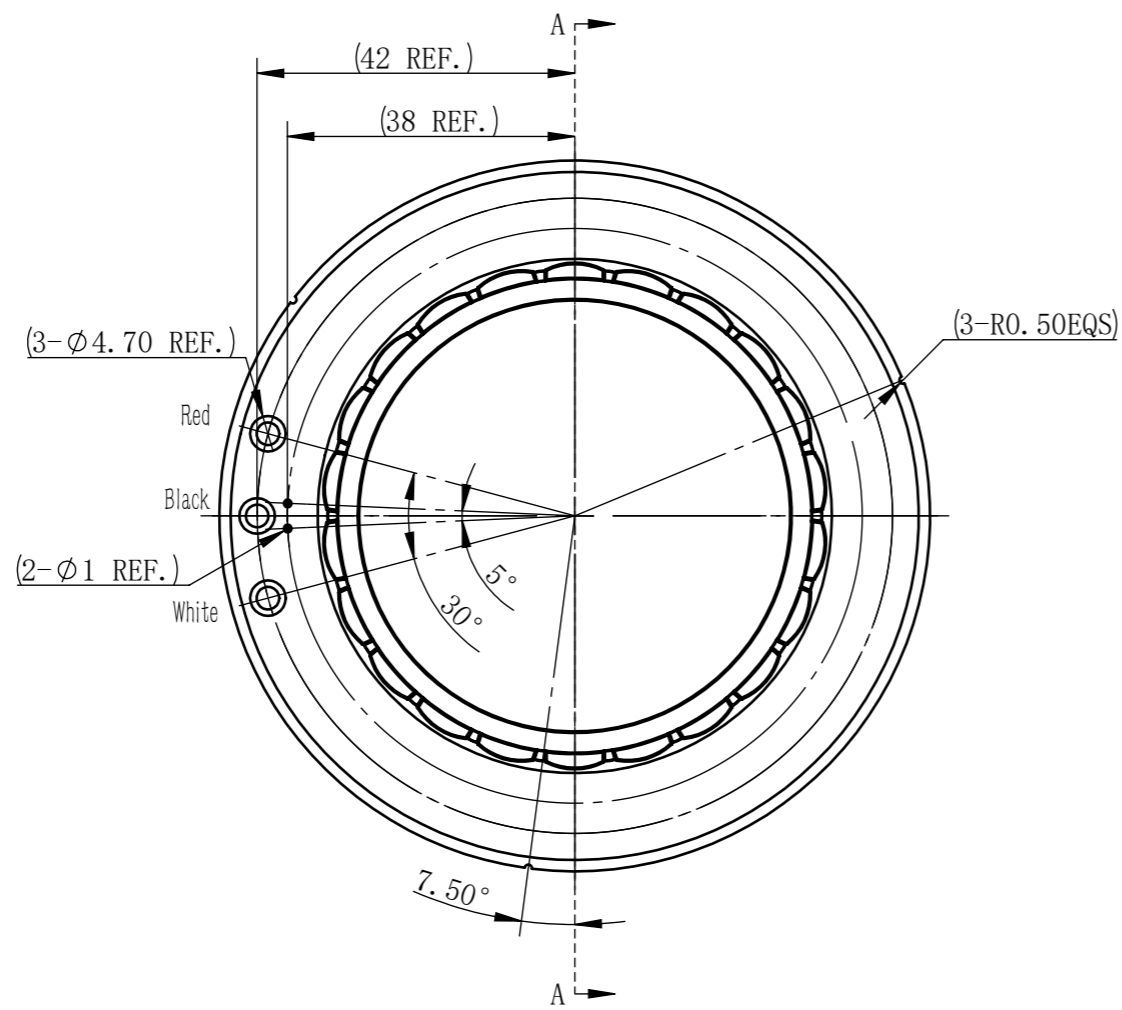
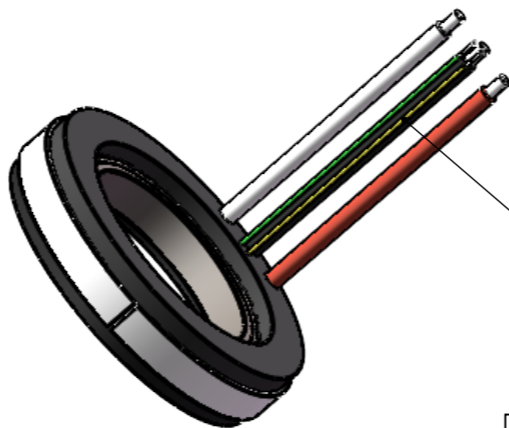


保密



Model	U9419
DC voltage (VDC)	48
Rated output (W)	502.6
Rated torque (N.m)	1.6
Rated current(A)	12.5
Rated speed (rpm)	3000
Maximum speed (rpm)	4500
Instant max torque (N.m)	4.8
Instant max current (A)	37.5
Coil resistance (ohms@20°C)	0.193
Coil inductance (mH)	0.7
Torque parameters (Nm/A)	0.128
Back EMF coefficient (Vrms/KRPM)	7.5
Number of pole-pairs (2P)	11
Rotor inertia (Kg.cm ²)	0.71
Winding connection way	△



Cable: #12AWG red, black, white, corresponding to U, V, W
 Wire length 250mm
 Temperature control wire: #26AWG, yellow and green wires, length: 250mm
 Temperature Coefficient Thermistor: CA-NTC24C018

								MOSRAC 强和电机			
								Drawing Sign	Version	V1.0	U9419 Frameless Torque Motor
Marker	Place number	Drawing Zone	Rev. No.	Signature	Month-Day-Year			Weight	WI-YF-U9419DJA01		
Designer	LZB	2026/1/12	Unification					Scale	MOSRAC Motor R&D Department		
Checker			Process Engineer							Perspective	
Technical	CMH	2026/1/12	Approval					Sheet 1 of 1			