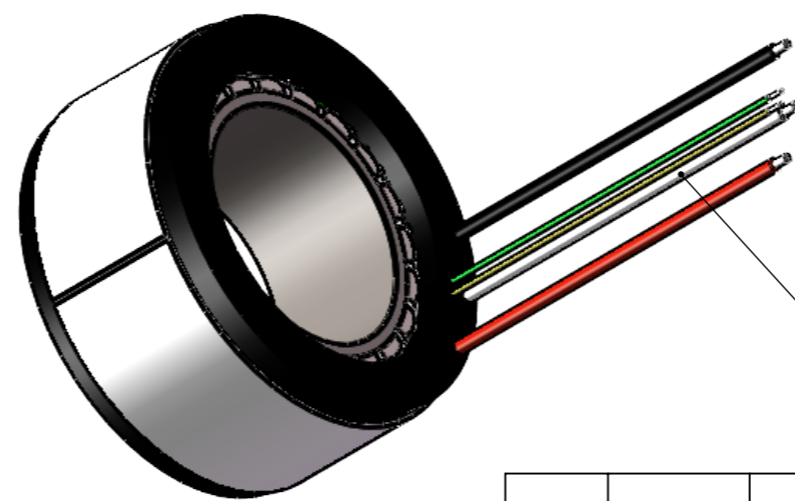


|                                     |          |
|-------------------------------------|----------|
| Model                               | U7636    |
| DC voltage (VDC)                    | 48       |
| Rated output (W)                    | 660      |
| Rated torque (N.m)                  | 2.1      |
| Rated current(A)                    | 16       |
| Rated speed (rpm)                   | 3000     |
| Maximum speed (rpm)                 | 4500     |
| Instant max torque (N.m)            | 6.3      |
| Instant max current (A)             | 48       |
| Coil resistance (ohms@20°C)         | 0.11     |
| Coil inductance (mH)                | 0.12     |
| Torque parameters (Nm/A)            | 0.115    |
| Back EMF coefficient (Vrms/KRPM)    | 8.5      |
| Number of pole-pairs (2P)           | 10       |
| Rotor inertia (Kg.cm <sup>2</sup> ) | 1.037    |
| Winding connection way              | Y        |
| Weight (g)                          | 580      |
| Motor Temperature Rise (k)          | 70k      |
| Cogging Torque (mN.m)               | 67(REF.) |



Wire: #14AWG red,black,white,corresponding to U, V, W  
 Wire length 250mm  
 Temperature control wire: #26AWG, yellow and green wires,  
 length: 250mm  
 Temperature Coefficient Thermistor: CA-NTC24C018

|           |              |              |                  |           |                |  |  |                    |         |                             |                              |
|-----------|--------------|--------------|------------------|-----------|----------------|--|--|--------------------|---------|-----------------------------|------------------------------|
|           |              |              |                  |           |                |  |  | <b>MOSRAC 强和电机</b> |         |                             |                              |
|           |              |              |                  |           |                |  |  | Drawing Sign       | Version | V1.0                        | U7636 Frameless Torque Motor |
| Marker    | Place number | Drawing Zone | Rev. No.         | Signature | Month-Day-Year |  |  | Weight             |         | WI-YF-U7636DJA01            |                              |
| Designer  | LZB          | 2025/11/18   | Unification      |           |                |  |  | Scale              |         | MOSRAC Motor R&D Department |                              |
| Checker   |              |              | Process Engineer |           |                |  |  |                    |         |                             |                              |
| Technical | CMH          | 2025/11/18   | Approval         |           |                |  |  |                    |         | Perspective                 |                              |
|           |              |              |                  |           |                |  |  | Sheet 1 of 1       |         |                             |                              |