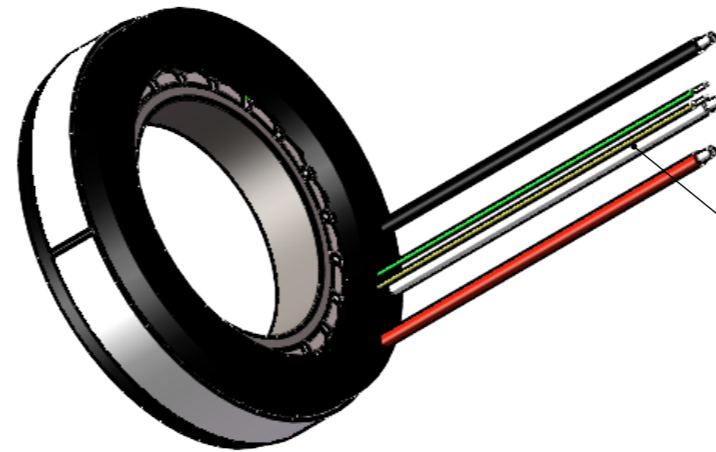
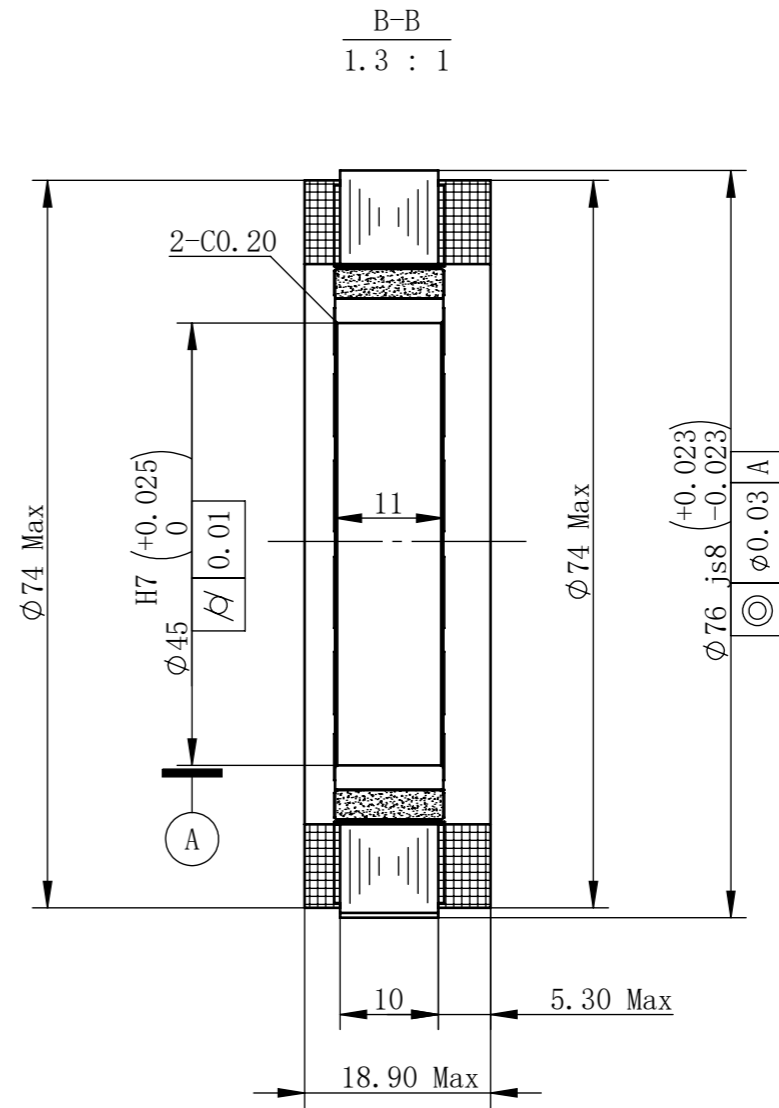
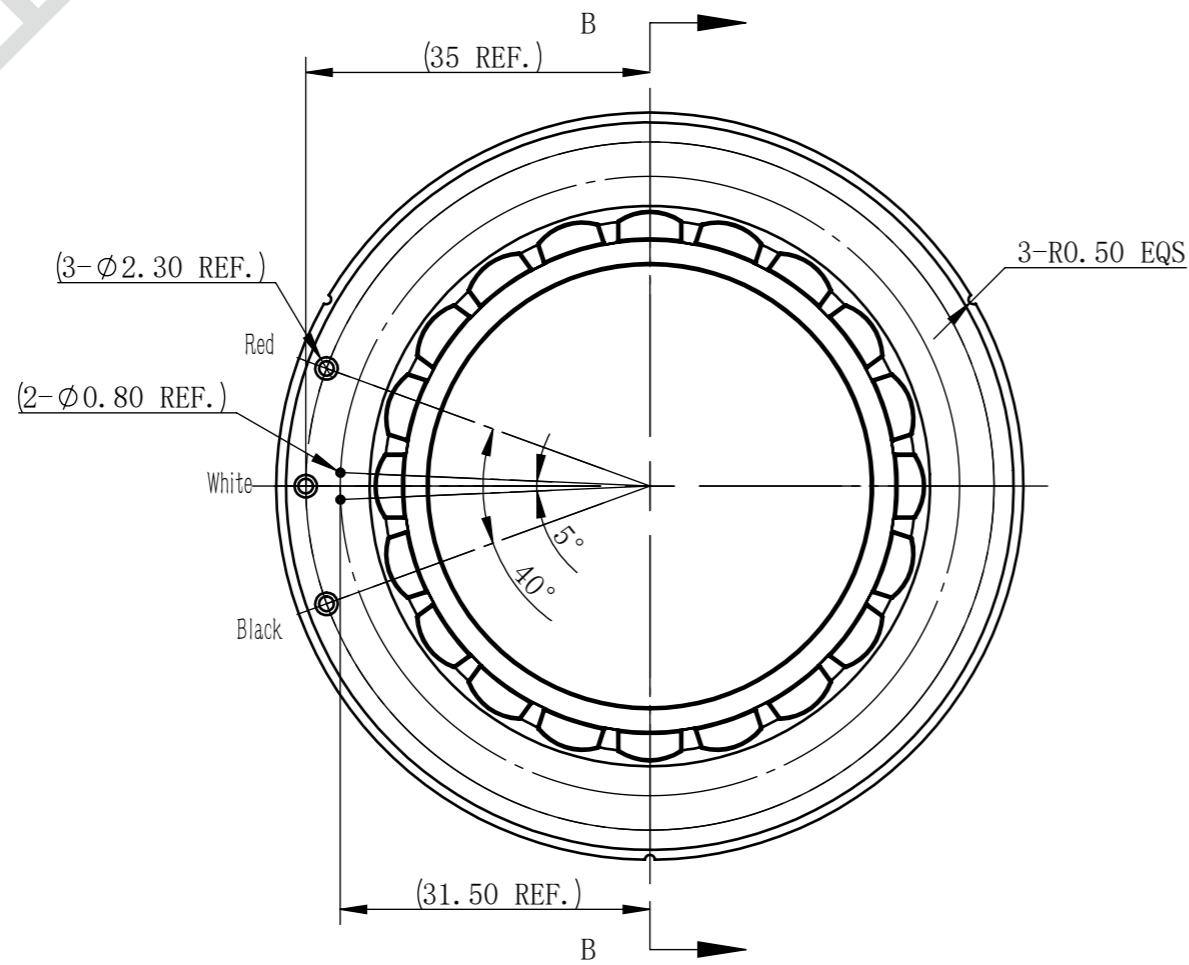


保密



Wire: #14AWG red,black,white, corresponding to U, V, W
 Wire length 250mm
 Temperature control wire: #26AWG, yellow and green wires, length: 250mm
 Temperature Coefficient Thermistor: CA-NTC24C018

Model	U7618
DC voltage (VDC)	48
Rated output (W)	282.7
Rated torque (N.m)	0.9
Rated current(A)	8.2
Rated speed (rpm)	3000
Maximum speed (rpm)	4500
Instant max torque (N.m)	2.7
Instant max current (A)	24.5
Coil resistance (ohms@20°C)	0.36
Coil inductance (mH)	0.3
Torque parameters (Nm/A)	0.110
Back EMF coefficient (Vrms/KRPM)	7
Number of pole-pairs (2P)	10
Rotor inertia (Kg.cm ²)	0.4
Winding connection way	Y
Weight (g)	260
Motor Temperature Rise (k)	50k
Cogging Torque (mN.m)	18(REF.)

							MOSRAC 强和电机			
							Drawing Sign	Version	V1.0	U7618Frameless Torque Motor
Marker	Place number	Drawing Zone	Rev. No.	Signature	Month-Day-Year		Weight		WI-YF-U7618DJA01	
Designer	LZB	2025/11/18	Unification				Scale		MOSRAC Motor R&D Department	
Checker			Process Engineer							
Technical	CMH	2025/11/18	Approval						Perspective	
							Sheet 1 of 1			