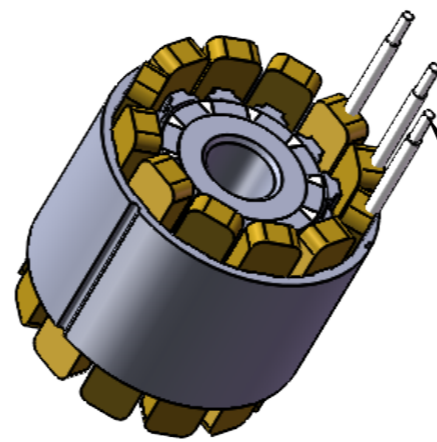
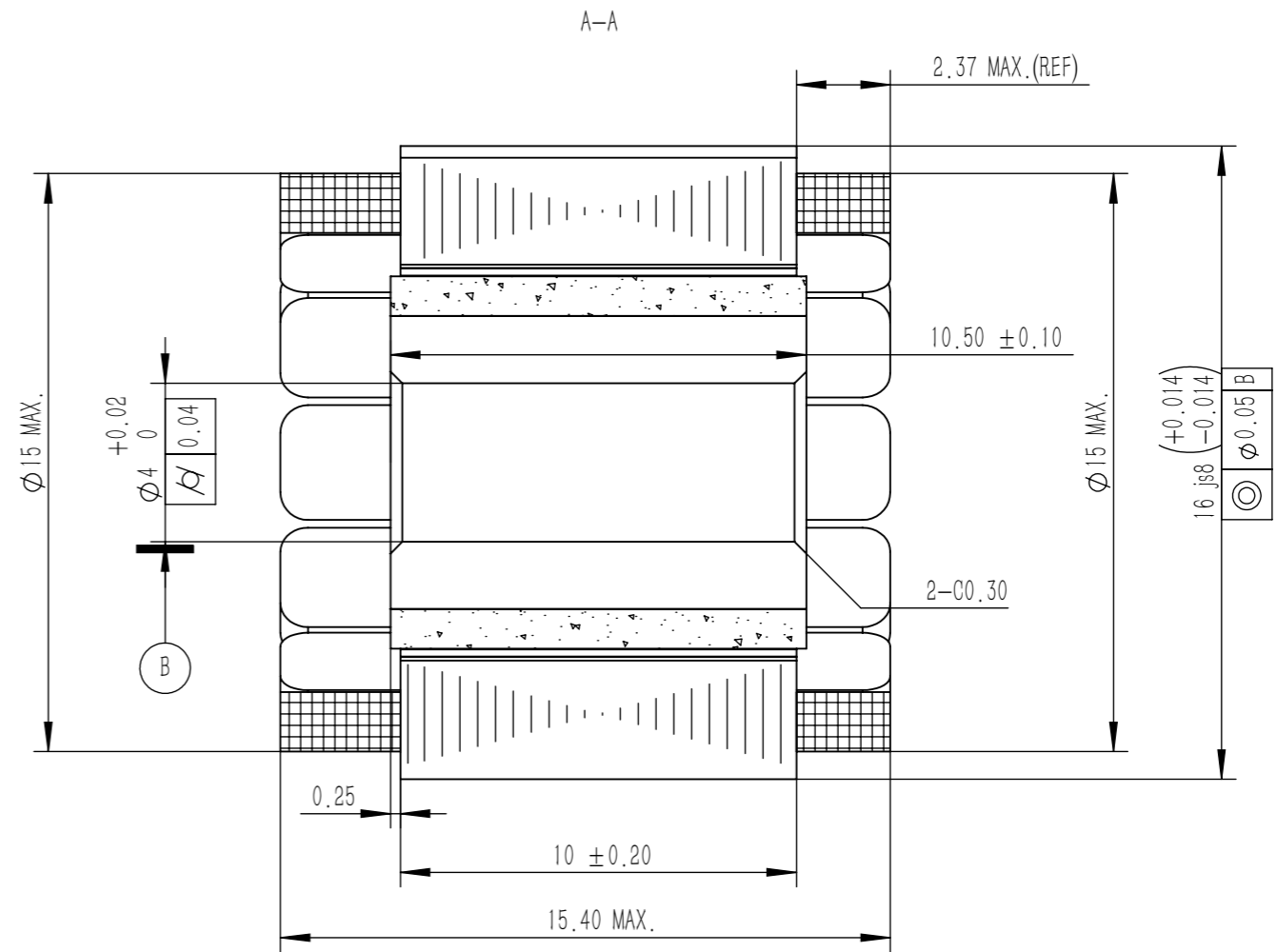
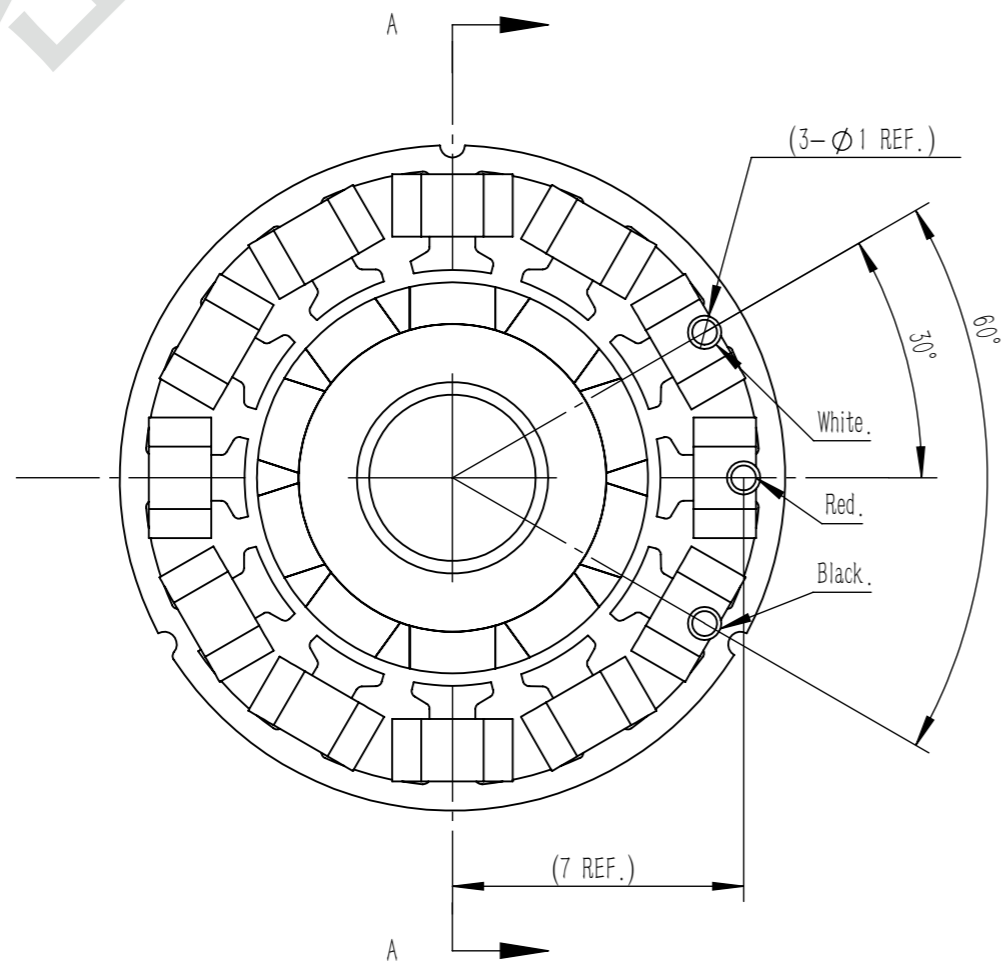


保密



Wire.: #26AWG red,black,white,corresponding to U, V, W
Wire length 250mm

Model	U1615
DC voltage (VDC)	12
Rated output (W)	1.57
Rated torque (N.m)	0.01
Rated current(A)	0.8
Rated speed (rpm)	1500
Maximum speed (rpm)	3000
Instant max torque (N.m)	0.02
Instant max current (A)	1.6
Coil resistance (ohms@20°C)	5.35
Coil inductance (mH)	1.82
Torque parameters (Nm/A)	0.01
Back EMF coefficient (Vrms/KRPM)	3.3
Number of pole-pairs (2P)	5
Rotor inertia (Kg.cm ²)	0.0000003
Winding connection way	Y

								MOSRAC 强和电机		
								Drawing Sign	Version	U1615 Frameless Torque Motor
Marker	Place number	Drawing Zone	Rev. No.	Signature	Month-Day-Year			Weight	WI-YF-U1615DJA01	
Designer	Zsx	2026/3/17	Unification					Scale	MOSRAC Motor R&D Department	
Checker	Tjt	2026/3/17	Process Engineer							
Technical	Cmh	2026/3/17	Approval							
								Sheet of		
								Perspective		