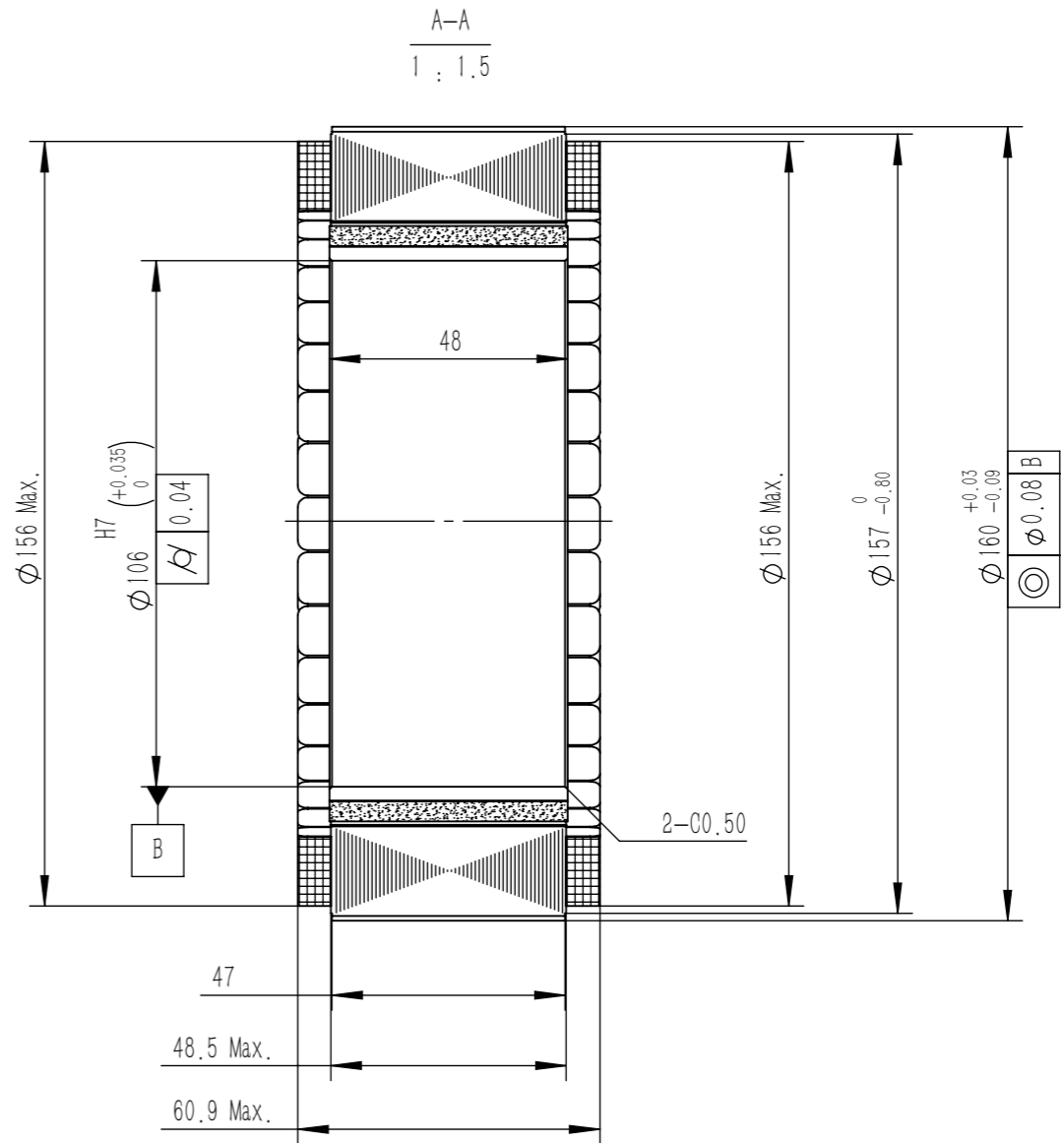
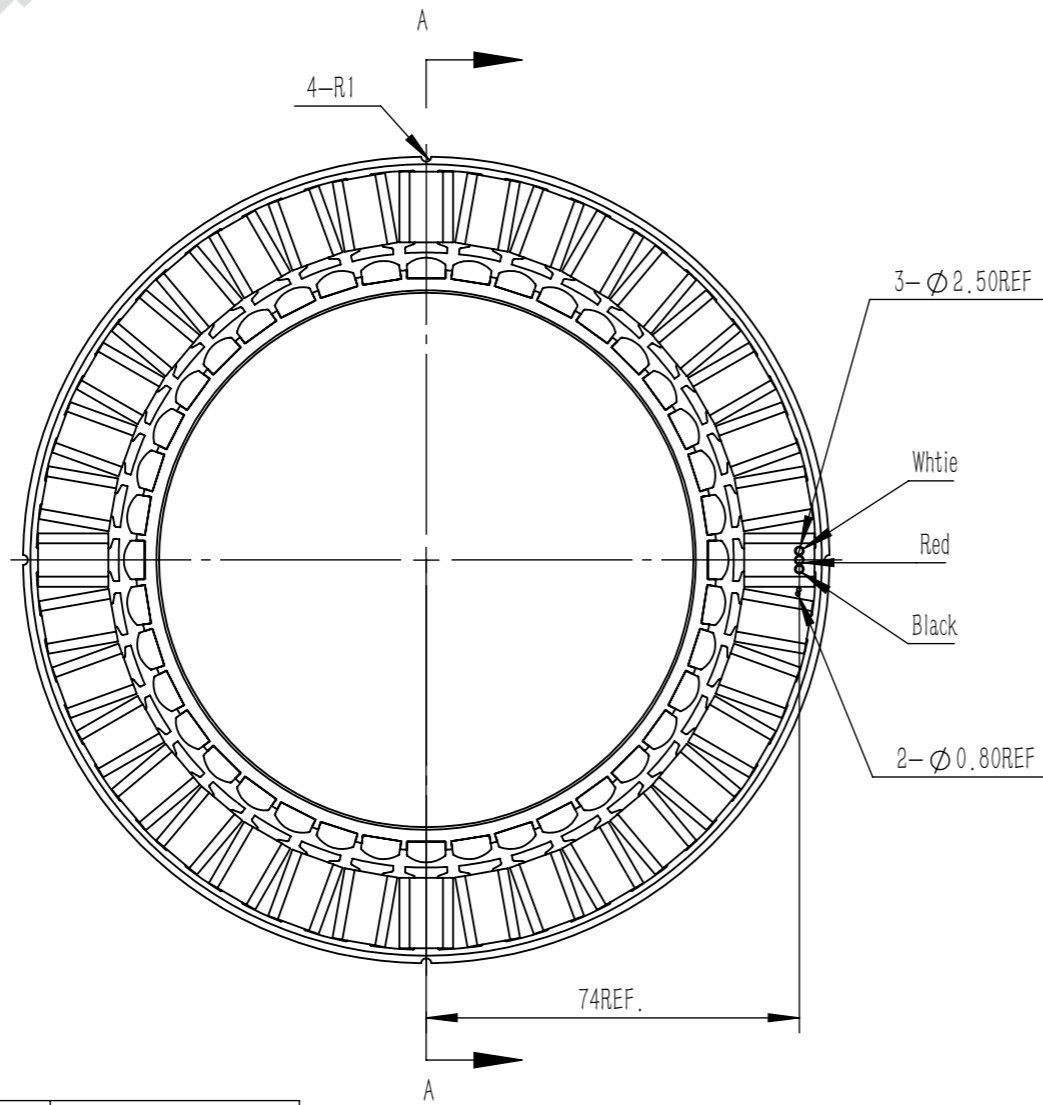
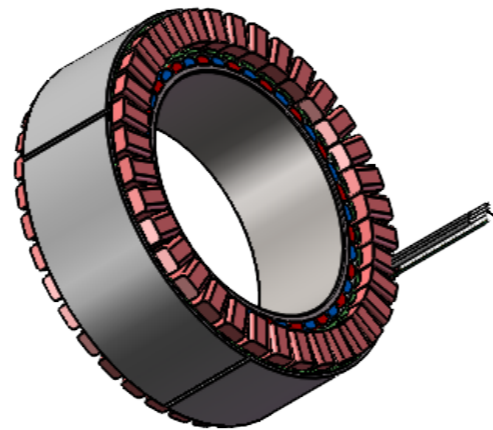


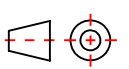
保密



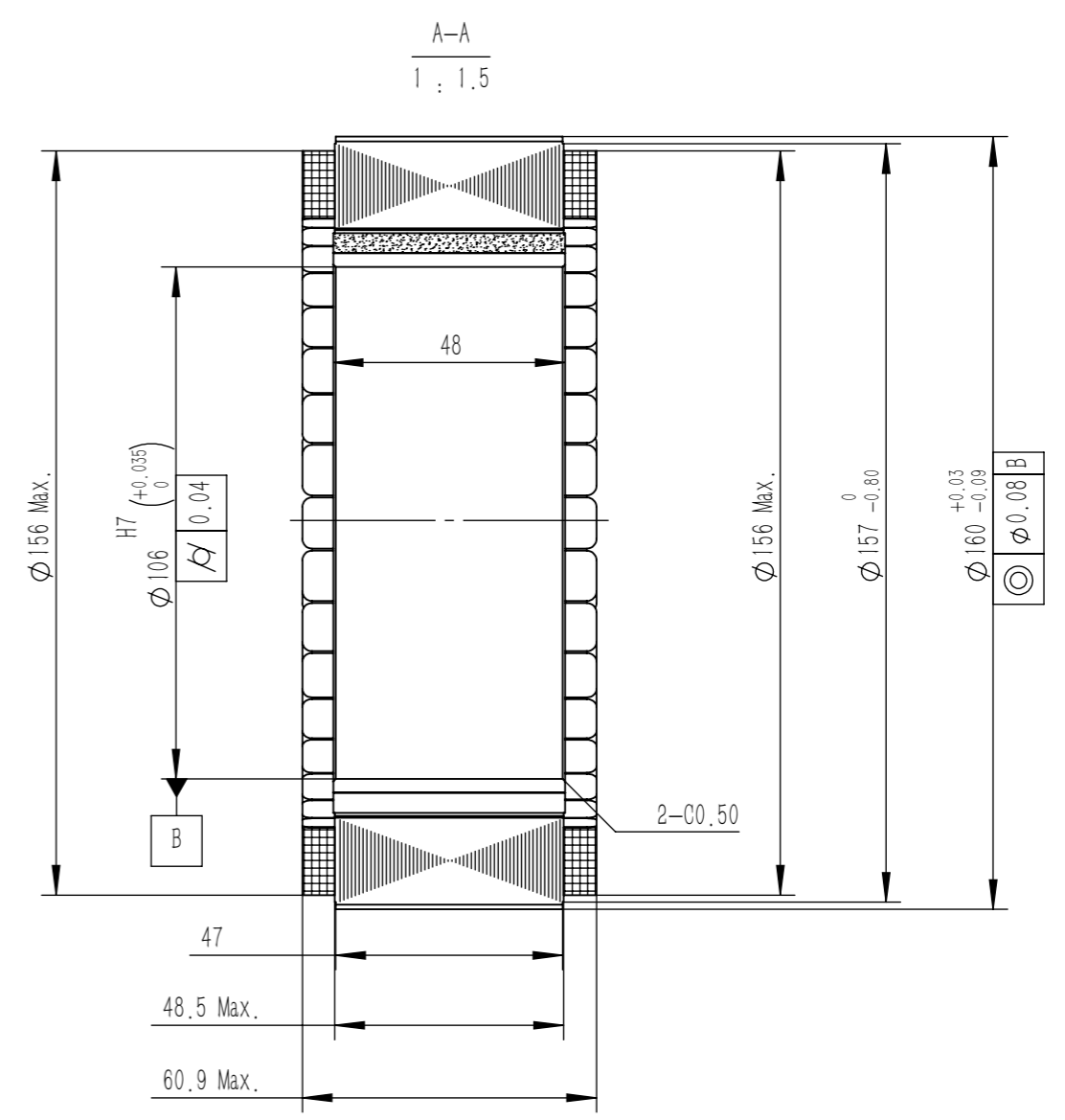
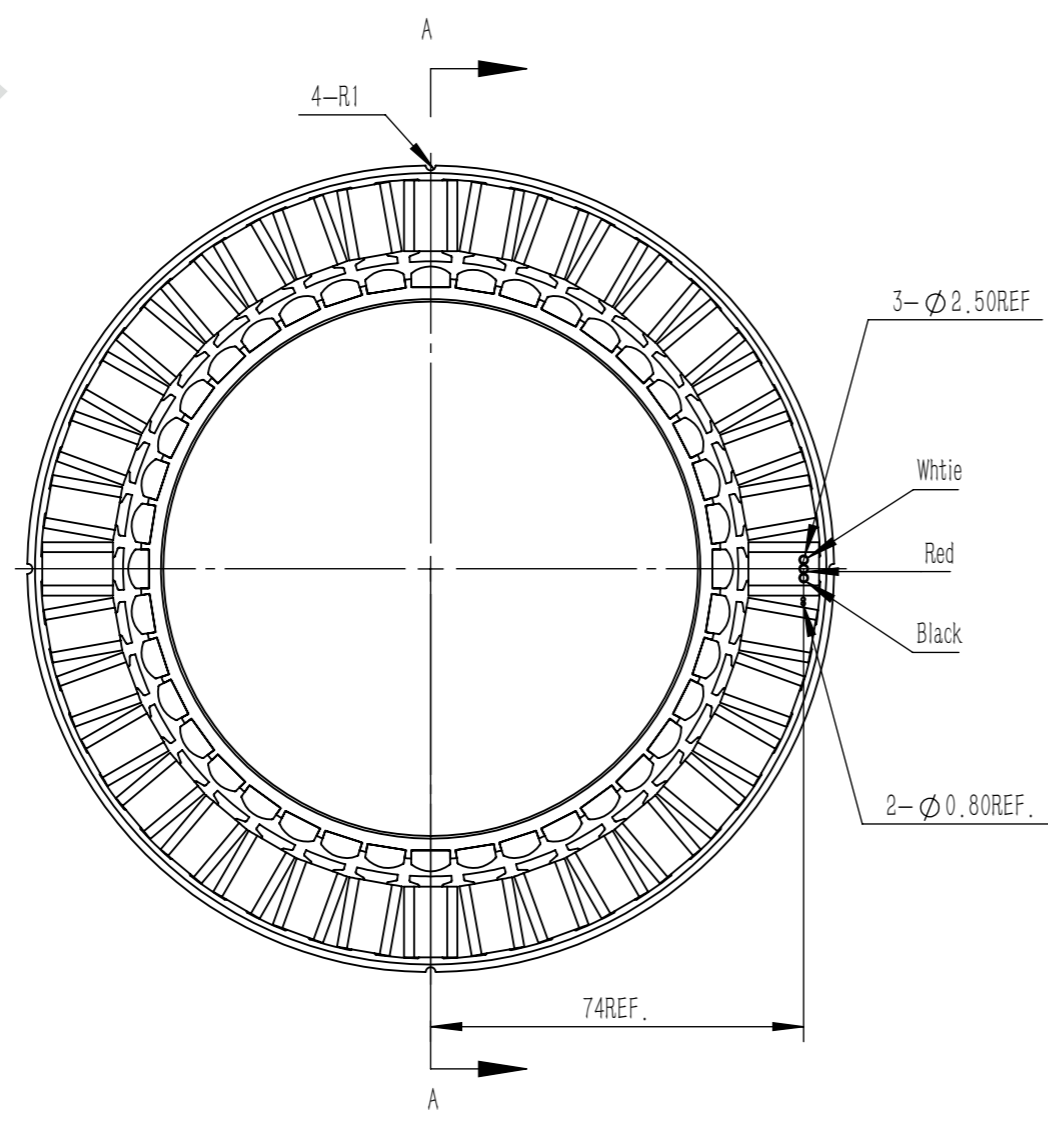
Model	U16060
DC voltage (VDC)	48
Rated output (W)	670.72
Rated torque (N.m)	32
Rated current(A)	20
Rated speed (rpm)	200
Maximum speed (rpm)	400
Instant max torque (N.m)	66
Instant max current (A)	45
Coil resistance (ohms@20°C)	0.24
Coil inductance (mH)	1.20
Torque parameters (Nm/A)	1.6
Back EMF coefficient (Vrms/KRPM)	84
Number of pole-pairs (2P)	20
Rotor inertia (Kg.cm <sup>2</sup> )	19
Winding connection way	▲



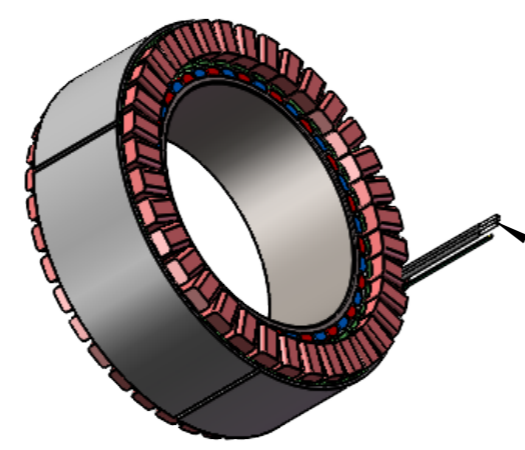
Cable: #14AWG red, black, white, corresponding to U, V, W  
 Wire length 250mm  
 Temperature control wire: #26AWG, yellow and green wires, length: 250mm  
 Temperature Coefficient Thermistor: CA-NTC24C018

								<b>MOSRAC 强和电机</b>		
								Drawing Sign	Version	U16060 Frameless Torque Motor
Marker	Place number	Drawing Zone	Rev. No.	Signature	Month-Day-Year			Weight	WI-YF-U16060DJA01	
Designer	Zsx	2026/4/14	Unification					Scale	MOSRAC Motor R&D Department	
Checker	Tjt	2026/4/14	Process Engineer							
Technical	Cmh	2026/4/14	Approval					Sheet of	Perspective 	

保密



Model	U16060
DC voltage (VDC)	220
Rated output (W)	2012.16
Rated torque (N.m)	32
Rated current(A)	10
Rated speed (rpm)	600
Maximum speed (rpm)	1000
Instant max torque (N.m)	66
Instant max current (A)	25
Coil resistance (ohms@20°C)	0.87
Coil inductance (mH)	1.79
Torque parameters (Nm/A)	3.2
Back EMF coefficient (Vrms/KRPM)	176
Number of pole-pairs (2P)	20
Rotor inertia (Kg.cm <sup>2</sup> )	26
Winding connection way	▲



Cable: #14AWG red,black,white,corresponding to U, V, W  
 Wire length 250mm  
 Temperature control wire: #26AWG, yellow and green wires, length: 250mm  
 Temperature Coefficient Thermistor: CA-NTC24C018

								<b>MOSRAC 强和电机</b>		
								Drawing Sign	Version	U16060 Frameless Torque Motor
Marker	Place number	Drawing Zone	Rev. No.	Signature	Month-Day-Year			Weight	WI-YF-U16060DJA01	
Designer	Zsx	2026/3/5	Unification					Scale	MOSRAC Motor R&D Department	
Checker	Tjt	2026/3/5	Process Engineer							
Technical	Cmh	2026/3/5	Approval							
								Sheet of		
								Perspective		