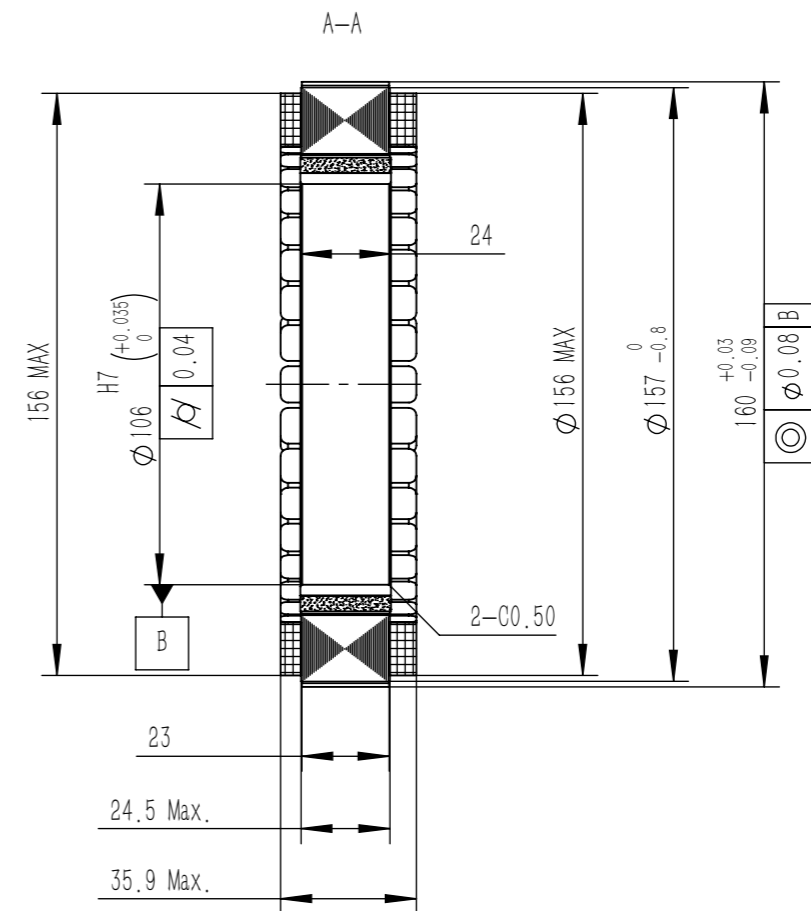
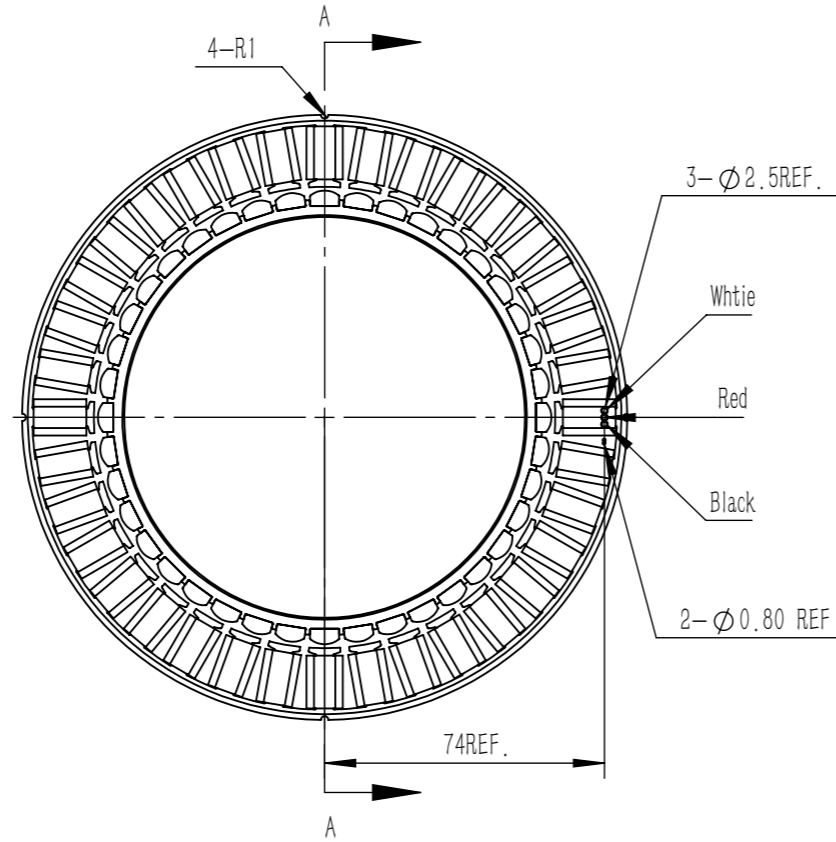
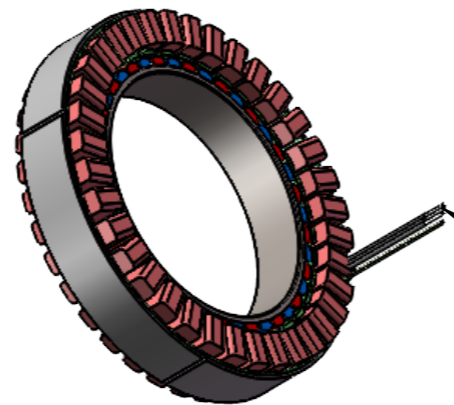


保密



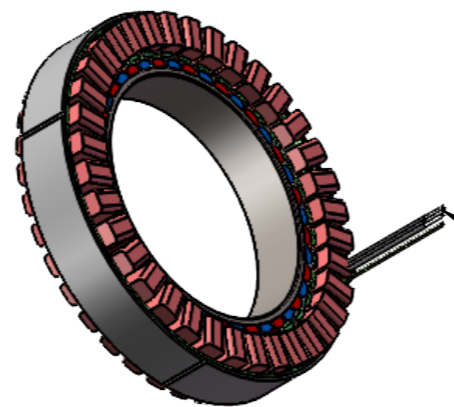
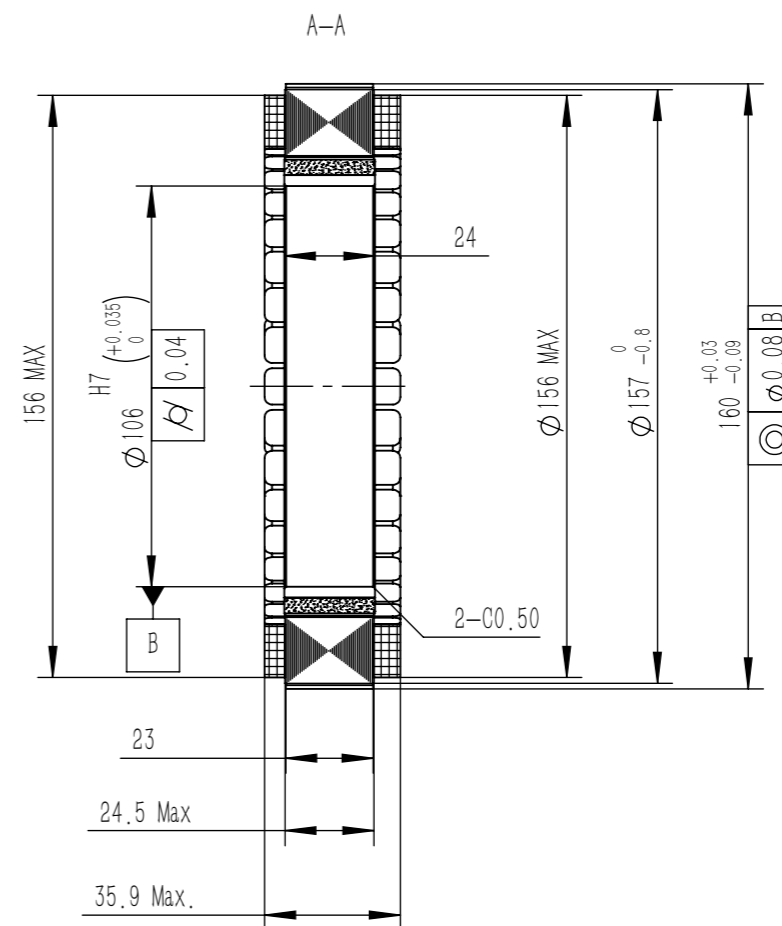
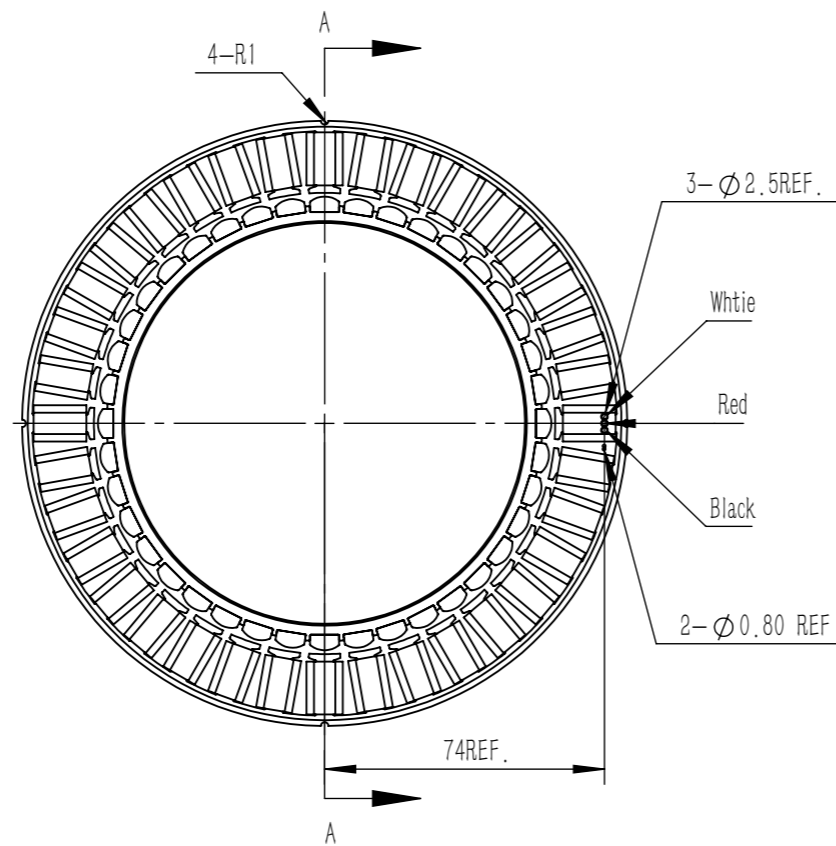
Model	U16035
DC voltage (VDC)	48
Rated output (W)	471.6
Rated torque (N.m)	15
Rated current(A)	17
Rated speed (rpm)	300
Maximum speed (rpm)	600
Instant max torque (N.m)	32
Instant max current (A)	38
Coil resistance (ohms@20°C)	0.26
Coil inductance (mH)	1.2
Torque parameters (Nm/A)	0.88
Back EMF coefficient (Vrms/KRPM)	61
Number of pole-pairs (2P)	20
Rotor inertia (Kg.cm ²)	7
Winding connection way	▲



Cable: #14AWG red,black,white,corresponding to U, V, W
 Wire length 250mm
 Temperature control wire: #26AWG, yellow and green wires, length: 250mm
 Temperature Coefficient Thermistor: CA-NTC24C018

								MOSRAC 强和电机		
								Drawing Sign	Version	U16035 Frameless Torque Motor
Marker	Place number	Drawing Zone	Rev. No.	Signature	Month-Day-Year			Weight	WI-YF-U16035DJA01	
Designer	Zsx	2026/3/10	Unification					Scale	MOSRAC Motor R&D Department	
Checker	Tjt	2026/3/10	Process Engineer							
Technical	Cmh	2026/3/10	Approval							
								Sheet of		
								Perspective		

保密



Cable: #14AWG red,black,white,corresponding to U, V, W
 Wire length 250mm
 Temperature control wire: #26AWG, yellow and green wires, length: 250mm
 Temperature Coefficient Thermistor: CA-NTC24C018

Model	U16035
AC voltage (VAC)	220
Rated output (W)	1257.6
Rated torque (N.m)	15
Rated current(A)	10
Rated speed (rpm)	800
Maximum speed (rpm)	1500
Instant max torque (N.m)	32
Instant max current (A)	25
Coil resistance (ohms@20°C)	0.55
Coil inductance (mH)	1.2
Torque parameters (Nm/A)	1.5
Back EMF coefficient (Vrms/KRPM)	100
Number of pole-pairs (2P)	20
Rotor inertia (Kg.cm2)	7
Winding connection way	▲

								MOSRAC 强和电机		
								Drawing Sign	Version	U16035 Frameless Torque Motor
Marker	Place number	Drawing Zone	Rev. No.	Signature	Month-Day-Year			Weight	WI-YF-U16035DJA01	
Designer	Zsx	2026/3/5	Unification					Scale	MOSRAC Motor R&D Department	
Checker	Tjt	2026/3/5	Process Engineer							
Technical	Cmh	2026/3/5	Approval					Sheet of	Perspective 