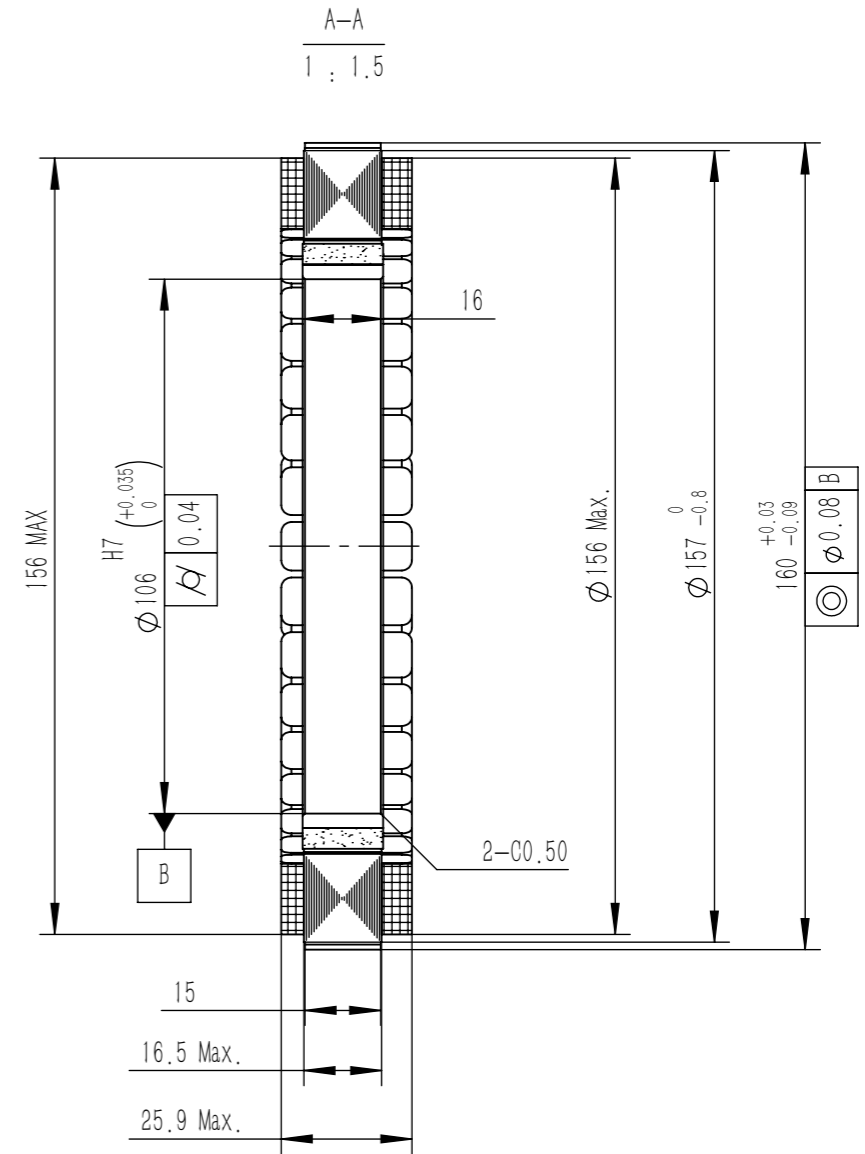
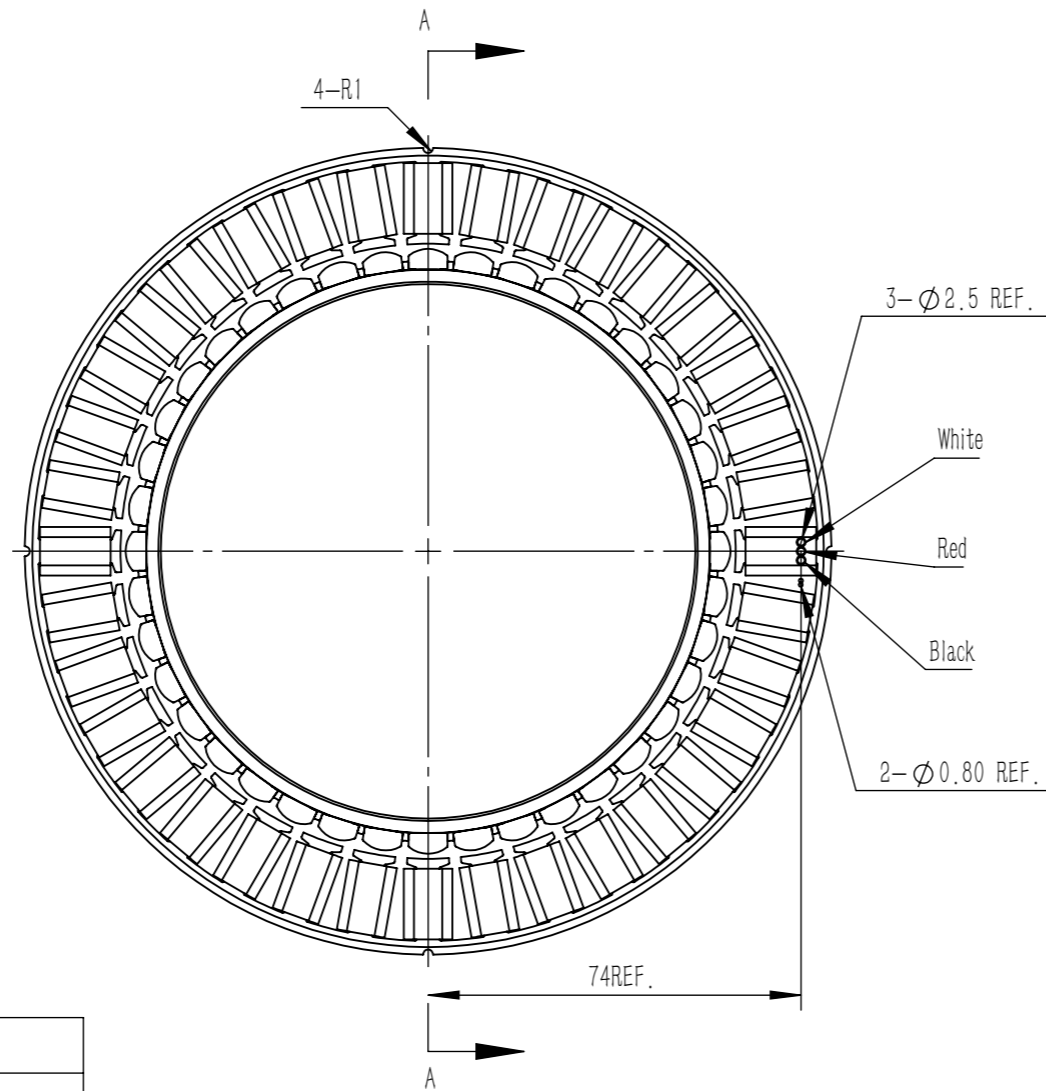


保密



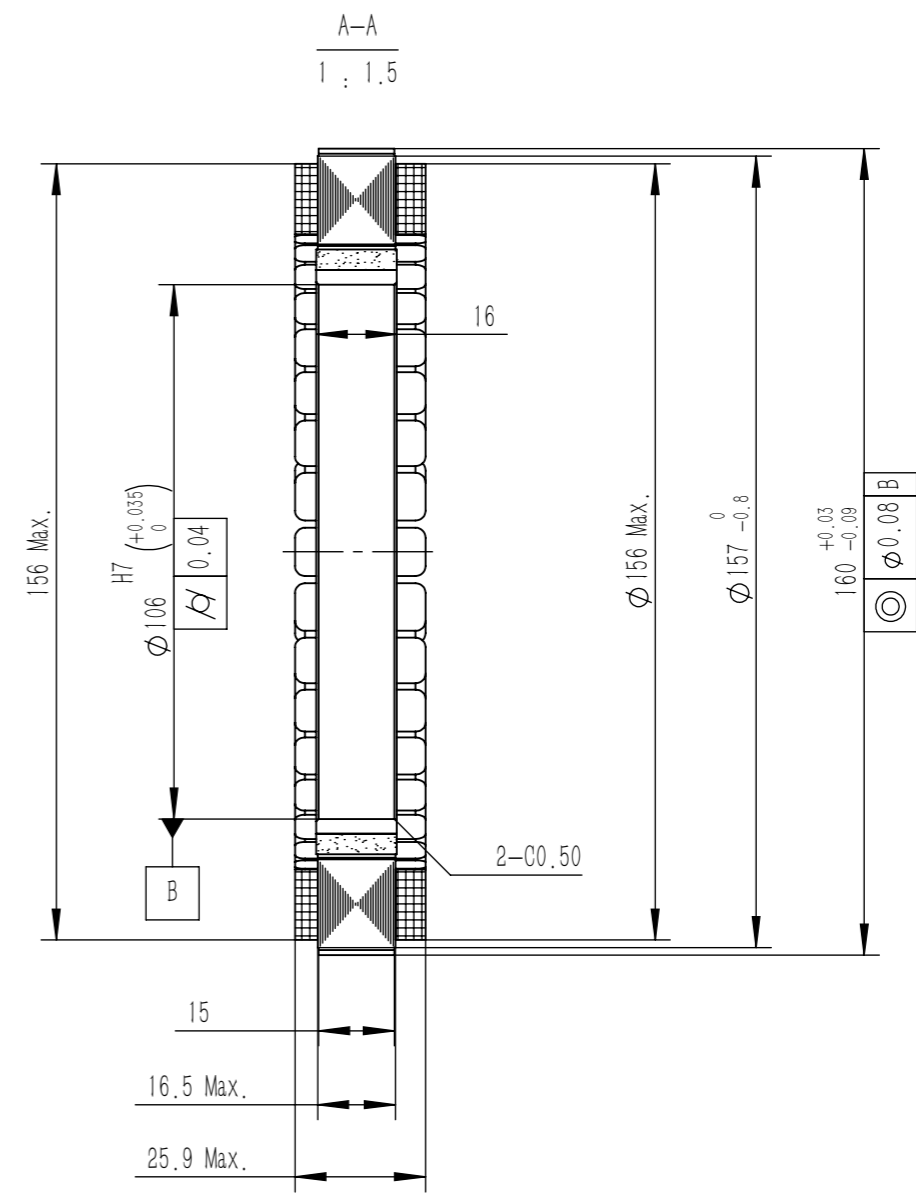
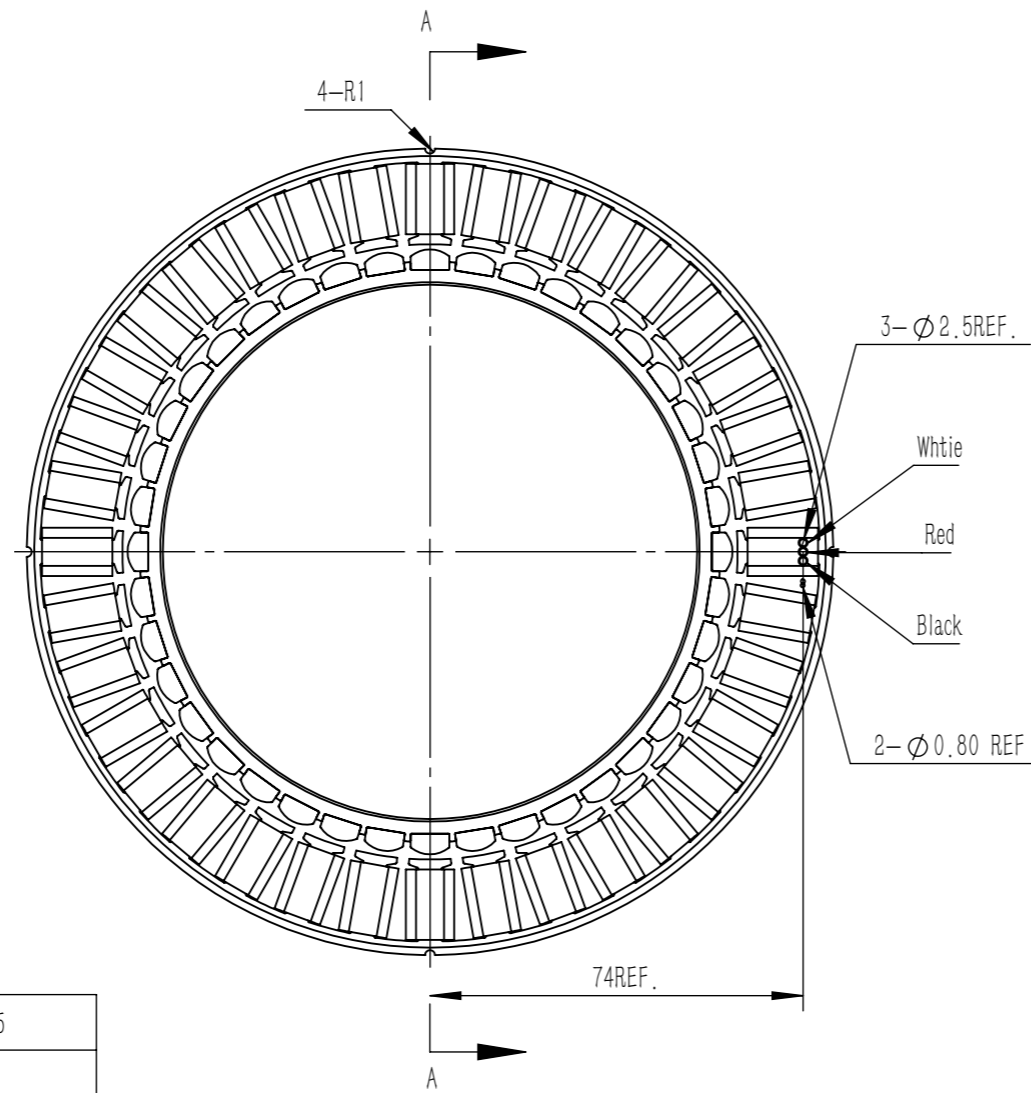
Model	U16025
DC voltage (VDC)	48
Rated output (W)	471.6
Rated torque (N.m)	9
Rated current(A)	15
Rated speed (rpm)	500
Maximum speed (rpm)	800
Instant max torque (N.m)	20
Instant max current (A)	35
Coil resistance (ohms@20°C)	0.284
Coil inductance (mH)	1.115
Torque parameters (Nm/A)	0.6
Back EMF coefficient (Vrms/KRPM)	42
Number of pole-pairs (2P)	20
Rotor inertia (Kg.cm2)	4.6
Winding connection way	▲



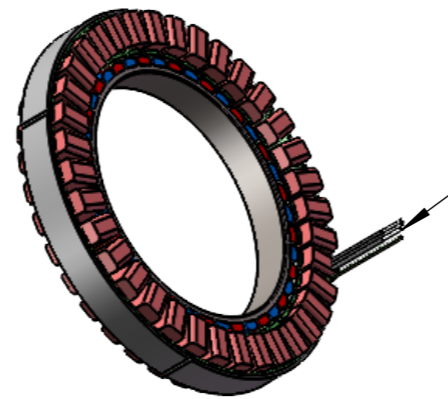
Cable: #14AWG red,black,white,corresponding to U, V, W  
 Wire length 250mm  
 Temperature control wire: #26AWG, yellow and green wires, length: 250mm  
 Temperature Coefficient Thermistor: CA-NTC24C018

								<b>MOSRAC 强和电机</b>		
								Drawing Sign	Version	U16025 Frameless Torque Motor
Marker	Place number	Drawing Zone	Rev. No.	Signature	Month-Day-Year			Weight	WI-YF-U16025DJA01	
Designer	ZSX	2026/4/3	Unification					Scale	MOSRAC Motor R&D Department	
Checker	TJT	2026/4/3	Process Engineer							
Technical	CMH	2026/4/3	Approval							
								Sheet of		
								Perspective		

保密



Model	U16025
AC voltage (VAC)	220
Rated output (W)	1886.4
Rated torque (N.m)	9
Rated current(A)	10
Rated speed (rpm)	2000
Maximum speed (rpm)	3000
Instant max torque (N.m)	20
Instant max current (A)	25
Coil resistance (ohms@20°C)	3.93
Coil inductance (mH)	15.375
Torque parameters (Nm/A)	0.9
Back EMF coefficient (Vrms/KRPM)	80
Number of pole-pairs (2P)	20
Rotor inertia (Kg.cm <sup>2</sup> )	4.6
Winding connection way	▲



Cable: #14AWG red,black,white, corresponding to U, V, W  
 Wire length 250mm  
 Temperature control wire: #26AWG, yellow and green wires, length: 250mm  
 Temperature Coefficient Thermistor: CA-NTC24C018

								<b>MOSRAC 强和电机</b>		
								Drawing Sign	Version	U16025Frameless Torque Motor
Marker	Place number	Drawing Zone	Rev. No.	Signature	Month-Day-Year			Weight	WI-YF-U16025DJA01	
Designer	ZSX	2026/3/30	Unification					Scale	MOSRAC Motor R&D Department	
Checker	TJT	2026/3/30	Process Engineer							
Technical	CMH	2026/3/30	Approval					Sheet of	Perspective 