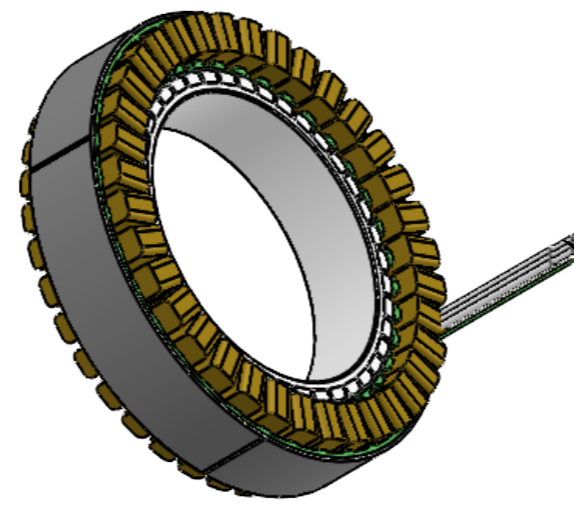
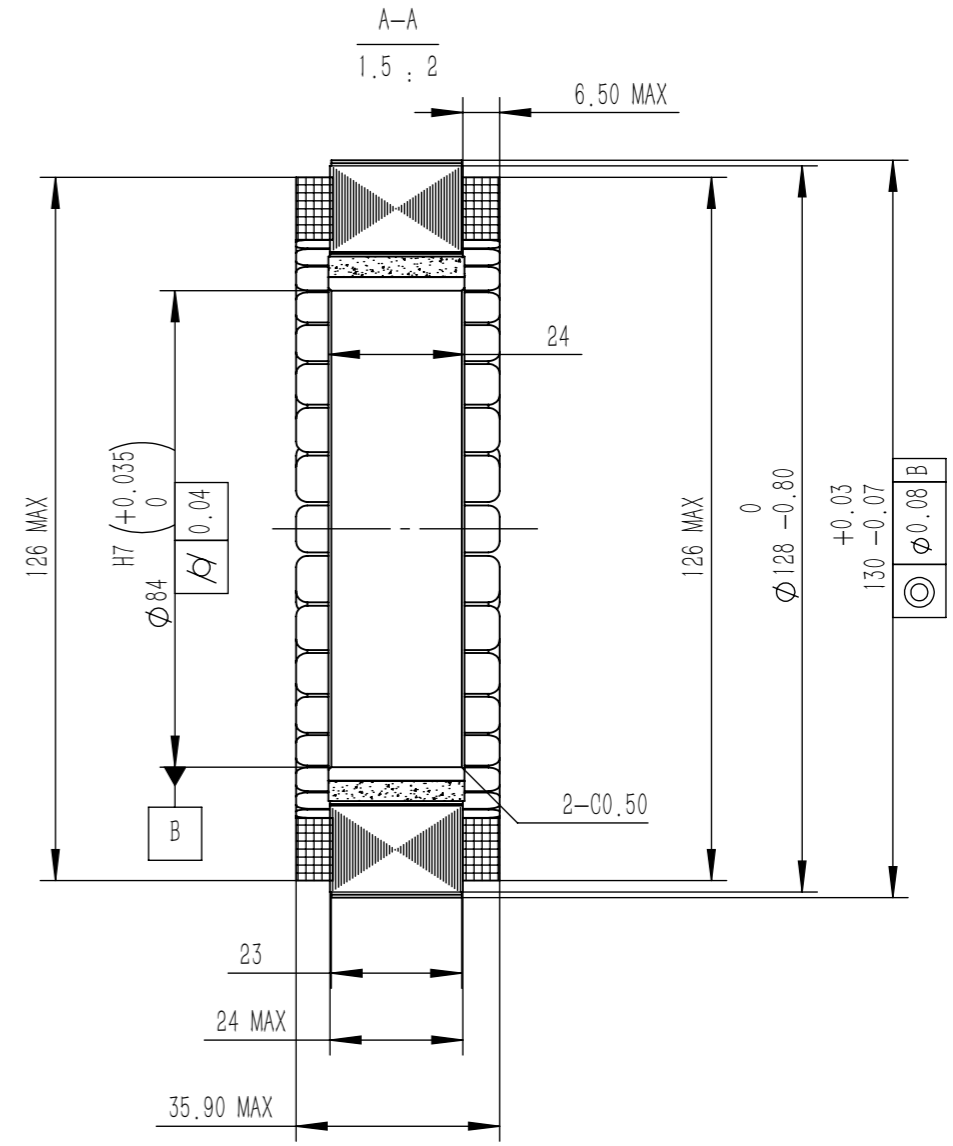
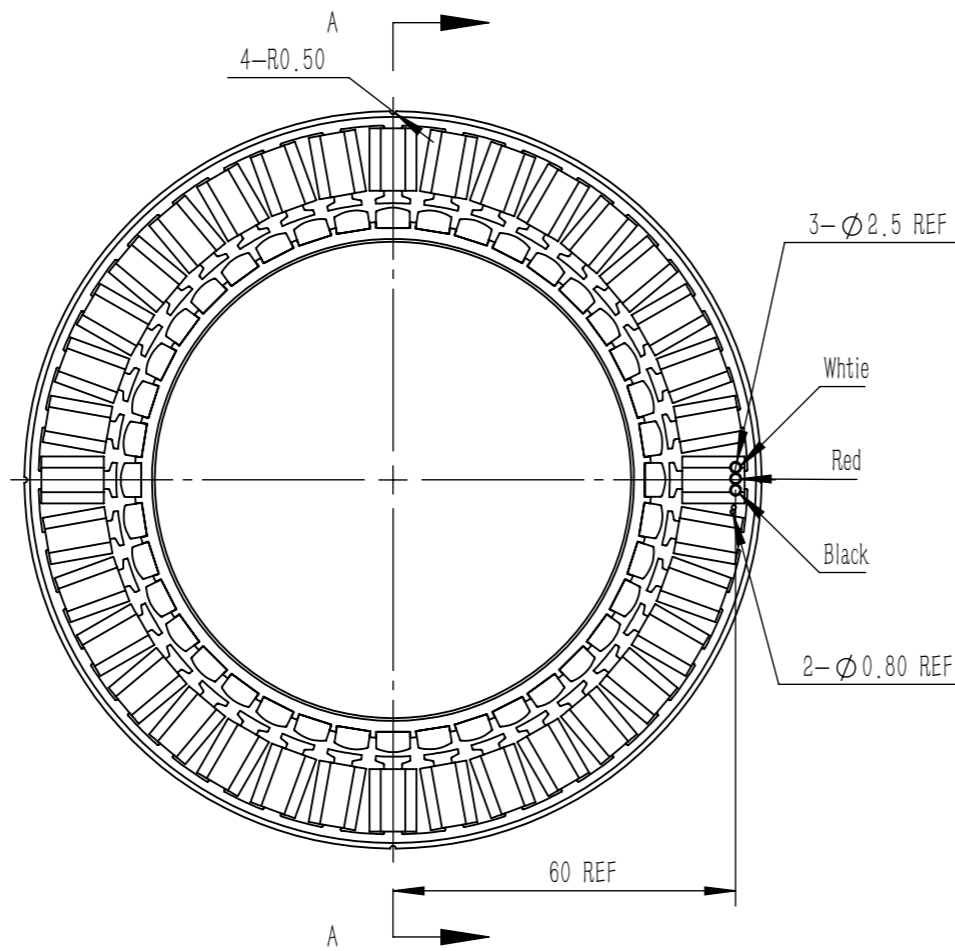


保密

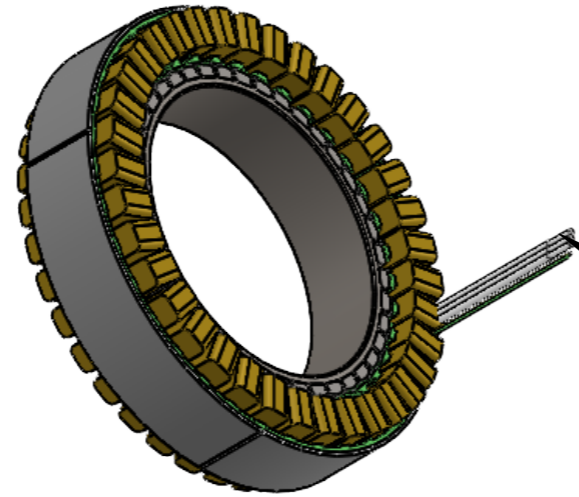
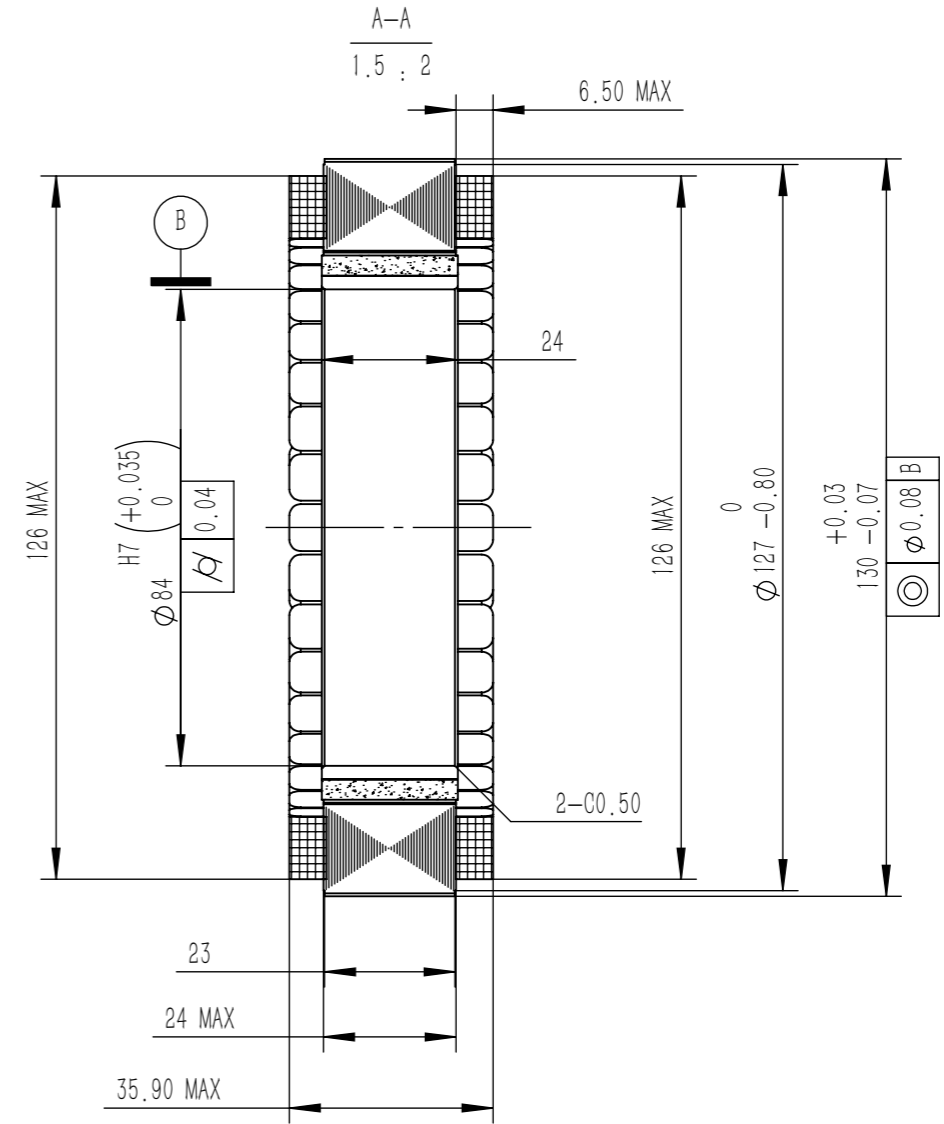
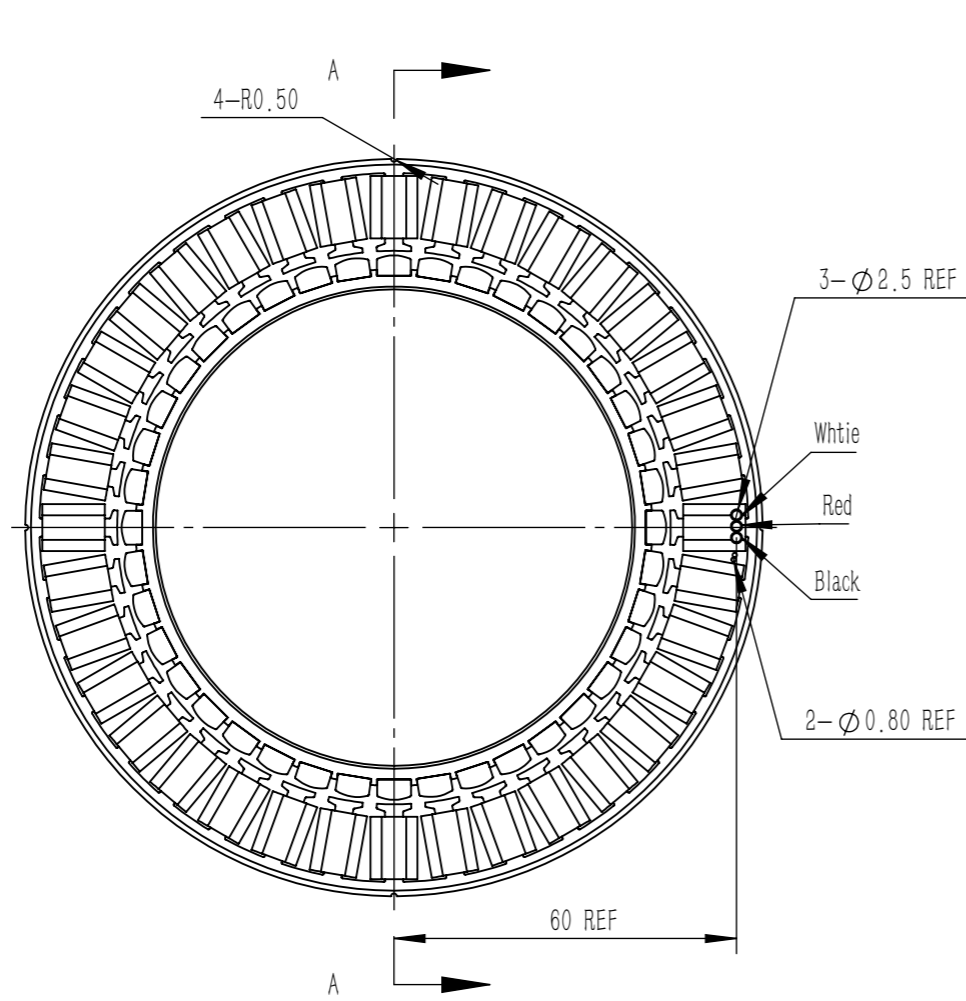


Cable: #14AWG red, black, white, corresponding to U, V, W
 Wire length 250mm
 Temperature control wire: #26AWG, yellow and green wires, length: 250mm
 Temperature Coefficient Thermistor: CA-NTC24C018

Model	U13035
DC voltage (VDC)	48
Rated output (W)	471.6
Rated torque (N.m)	9
Rated current(A)	21
Rated speed (rpm)	500
Maximum speed (rpm)	1000
Instant max torque (N.m)	20
Instant max current (A)	50
Coil resistance (ohms@20°C)	0.245
Coil inductance (mH)	0.72
Torque parameters (Nm/A)	0.43
Back EMF coefficient (Vrms/KRPM)	35.6
Number of pole-pairs (2P)	20
Rotor inertia (Kg.cm2)	3.5
Winding connection way	▲

								MOSRAC 强和电机		
								Drawing Sign	Version	U13035 Frameless Torque Motor
Marker	Place number	Drawing Zone	Rev. No.	Signature	Month-Day-Year			Weight	WI-YF-U13035DJA01	
Designer	Tjt	2026/1/7	Unification					Scale	MOSRAC Motor R&D Department	
Checker			Process Engineer							
Technical	Cmh	2026/1/7	Approval					Perspective		
								Sheet of		

保密



Cable: #14AWG red,black,white, corresponding to U, V, W
 Wire length 250mm
 Temperature control wire: #26AWG, yellow and green wires, length: 250mm
 Temperature Coefficient Thermistor: CA-NTC24C018

Model	U13035
AC voltage (VAC)	220
Rated output (W)	1414.8
Rated torque (N.m)	9
Rated current(A)	10
Rated speed (rpm)	1500
Maximum speed (rpm)	2300
Instant max torque (N.m)	20
Instant max current (A)	25
Coil resistance (ohms@20°C)	0.87
Coil inductance (mH)	2.6
Torque parameters (Nm/A)	0.9
Back EMF coefficient (Vrms/KRPM)	73
Number of pole-pairs (2P)	20
Rotor inertia (Kg.cm ²)	3.5
Winding connection way	▲

								MOSRAC 强和电机		
								Drawing Sign	Version	U13035 Frameless Torque Motor
Marker	Place number	Drawing Zone	Rev. No.	Signature	Month-Day-Year			Weight	WI-YF-U13035DJA01	
Designer	Tjt	2026/1/7	Unification					Scale	MOSRAC Motor R&D Department	
Checker			Process Engineer							
Technical	Cmh	2026/1/7	Approval					Sheet of	Perspective 