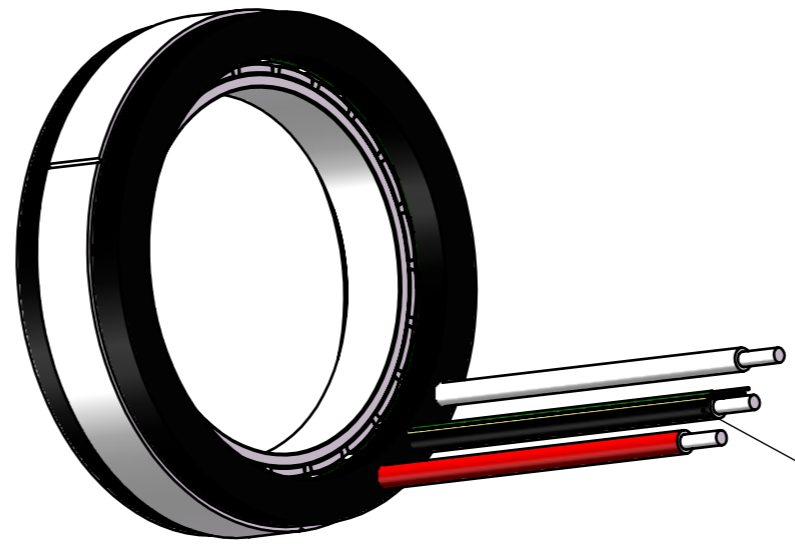
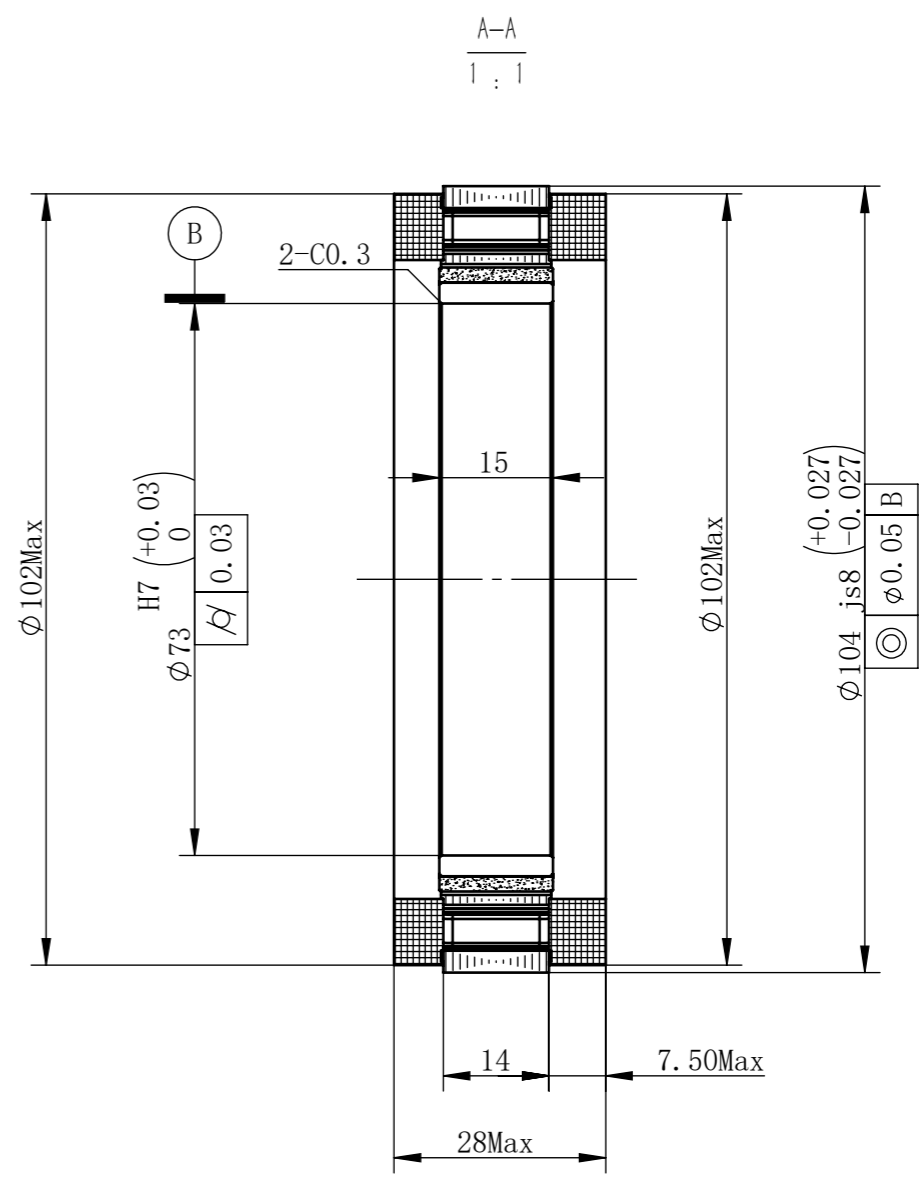
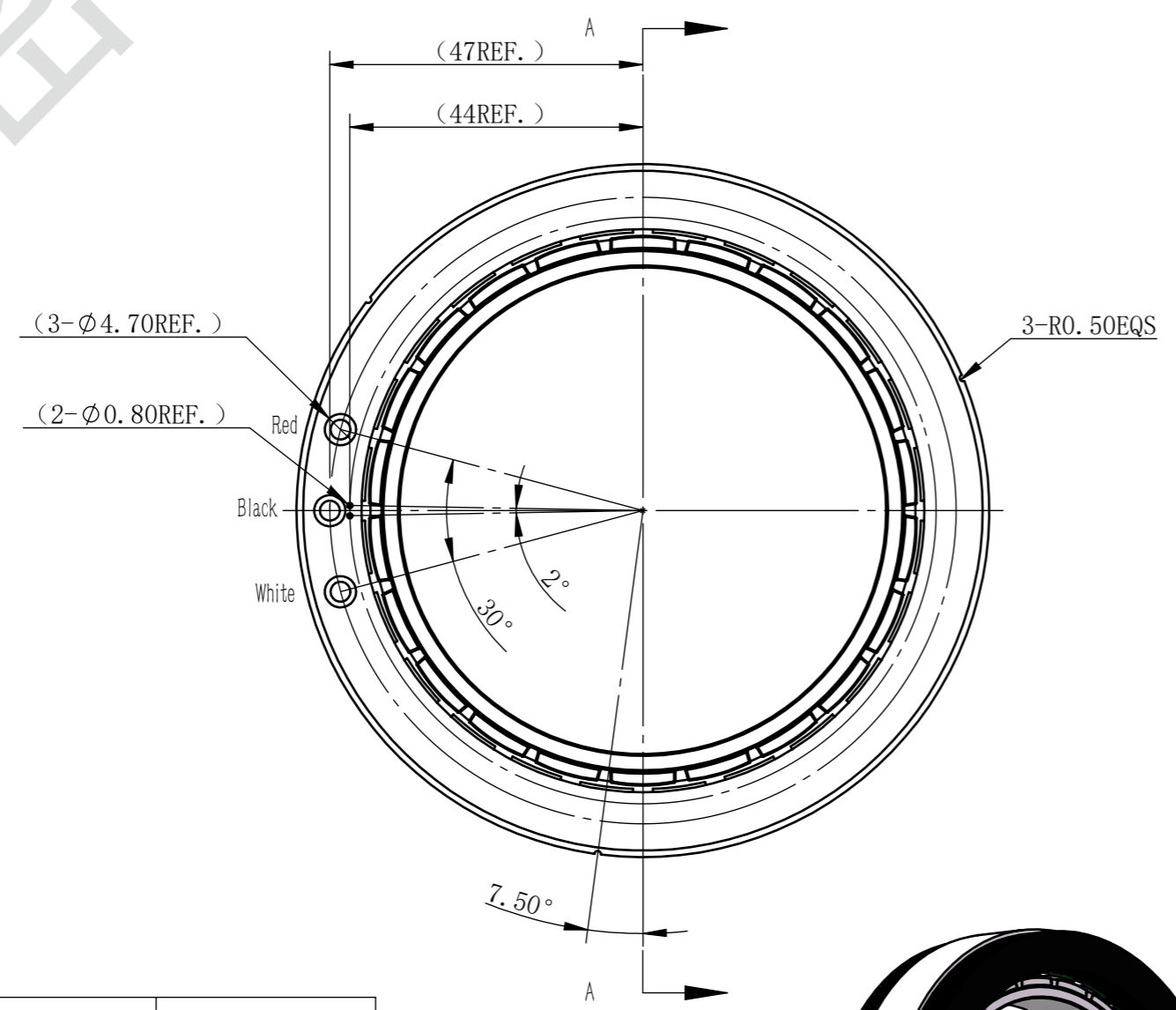


保密



Wire: #12AWG red, black, white, corresponding to U, V, W
 Wire length 250mm
 Temperature control wire: #26AWG, yellow and green wires, length: 250mm
 Temperature Coefficient Thermistor: CA-NTC24C018

Model	U10428
DC voltage (VDC)	48
Rated output (W)	722.5
Rated torque (N.m)	2.3
Rated current(A)	18.5
Rated speed (rpm)	3000
Maximum speed (rpm)	4000
Instant max torque (N.m)	6.9
Instant max current (A)	55.5
Coil resistance (ohms@20°C)	0.1
Coil inductance (mH)	0.08
Torque parameters (Nm/A)	0.124
Back EMF coefficient (Vrms/KRPM)	7.5
Number of pole-pairs (2P)	11
Rotor inertia (Kg.cm ²)	1.844
Winding connection way	Y

								MOSRAC 强和电机			
								Drawing Sign	Version	V1.0	U10428 Frameless Torque Motor
Marker	Place number	Drawing Zone	Rev. No.	Signature	Month-Day-Year			Weight	WI-YF-U10428DJA01		
Designer	ZZY	2026/1/20	Unification					Scale	MOSRAC Motor R&D Department		
Checker			Process Engineer						Perspective		
Technical	CMH	2026/1/20	Approval					Sheet 1 of 1			