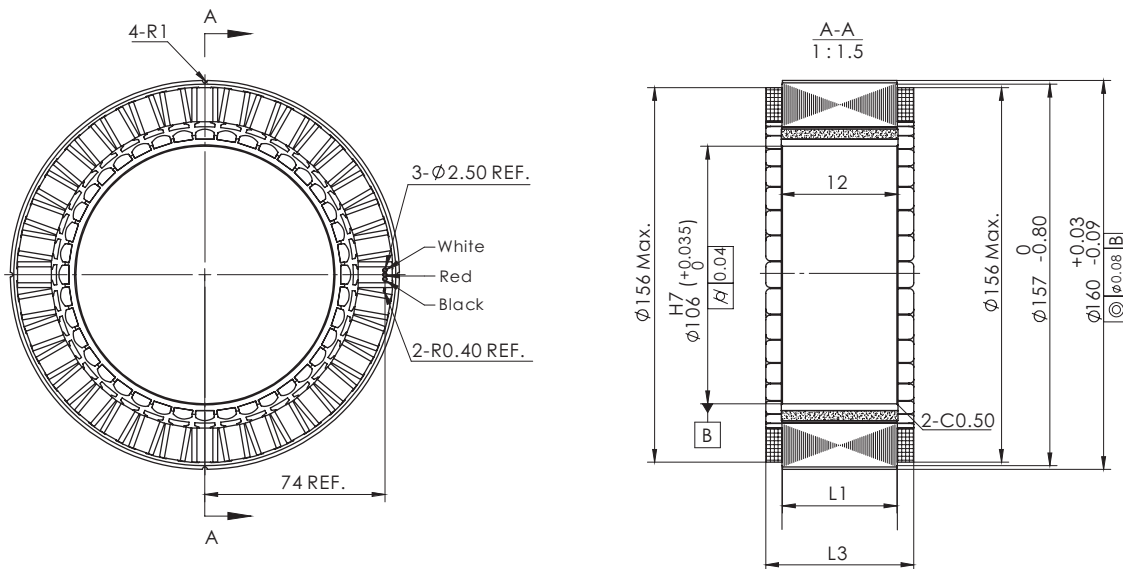


U160 series

Frameless Torque Motor

Model		U16025	U16035	U16060
Voltage (VDC)		48	48	48
Rated Output (W)		471.6	471.6	670.72
Rated torque (N.m)		9	15	32
Instant Max Torque (N.m)		20	32	66
Rated Current (A)		15	17	20
Instant Max Current (A)		35	38	45
Rated Speed (rpm)		500	300	200
Max Speed (rpm)		800	600	400
Torque constant (Nm/A)		0.6	0.88	1.6
Rotor inertia (Kg.cm ²)		4.6	7	19
Back EMF coefficient (V/KRPM)		42	61	84
Resistance (Ω)		0.284	0.26	0.24
Inductance (mH)		1.155	1.2	1.2
Pole-pairs number (2P)		20	20	20
Weight (kg)		1.1	1.6	3.3
Size (mm)	L1 (Stator stack height)	15	23	47
	L2 (Rotor height)	16	24	48
	L3 (Overall height)	25.9	35.9	60.9

Specification & drawing



U160 series(220V)

Frameless Torque Motor

Model	U16025	U16035	U16060	
Voltage(VAC)	220	220	220	
Rated Output (W)	1886.4	1257.6	2012.16	
Rated torque (N.m)	9	15	32	
Instant Max Torque (N.m)	20	32	66	
Rated Current (A)	10	10	10	
Instant Max Current (A)	25	25	25	
Rated Speed (rpm)	2000	800	600	
Max Speed (rpm)	3000	1500	1000	
Torque constant (Nm/A)	0.9	1.5	3.2	
Rotor inertia(Kg.cm ²)	4.6	7	20	
Back EMF coefficient(V/KRPM)	80	100	176	
Resistance (Ω)	3.93	0.55	0.87	
Inductance (mH)	15.375	1.2	1.79	
Pole-pairs number (2P)	20	20	20	
Weight (kg)	1.1	1.6	3.3	
Size(mm)	L1(Stator stack height)	15	23	47
	L2(Rotor height)	16	24	48
	L3(Overall height)	25.9	35.9	60.9

Specification & drawing

