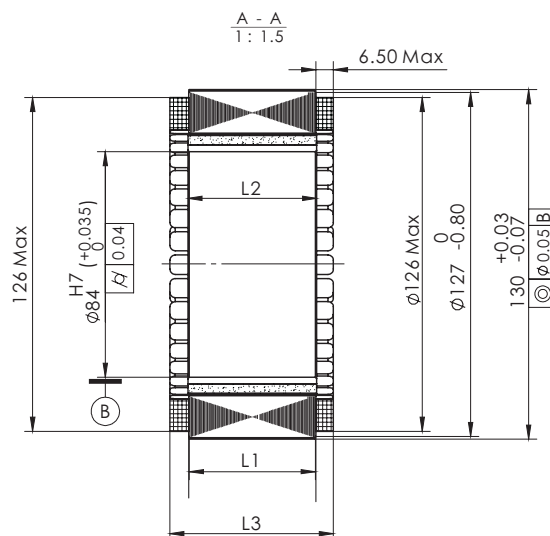
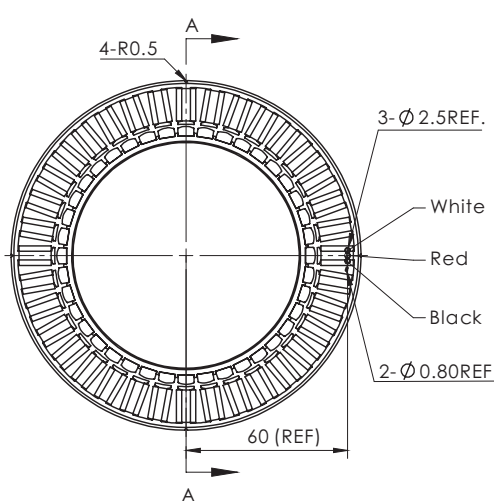


# U130 series

## Frameless Torque Motor

Model		U13025	U13035	U13060
Voltage(VDC)		48	48	48
Rated Output (W)		419.2	471.6	754.56
Rated torque (N.m)		5	9	18
Instant Max Torque (N.m)		11	20	40
Rated Current (A)		18	21	30
Instant Max Current (A)		40	50	70
Rated Speed (rpm)		800	500	400
Max Speed (rpm)		1400	1000	800
Torque constant (Nm/A)		0.28	0.43	0.6
Rotor inertia(Kg.cm <sup>2</sup> )		2.5	3.5	10
Back EMF coefficient(V/KRPM)		26.5	35.6	39.6
Resistance (Ω)		0.21	0.245	0.135
Inductance (mH)		0.59	0.72	0.42
Pole-pairs number (2P)		20	20	20
Weight (kg)		0.9	1.3	2.7
Size(mm)	L1(Stator stack height)	14	23	47
	L2(Rotor height)	15	24	48
	L3(Overall height)	25.9	35.9	60.9

### Specification & drawing



# U130 series(220V)

## Frameless Torque Motor

Model		U13025	U13035	U13060
Voltage(VAC)		220	220	220
Rated Output (W)		1048	1414.8	1509.12
Rated torque (N.m)		5	9	18
Instant Max Torque (N.m)		11	20	40
Rated Current (A)		5.1	10	10
Instant Max Current (A)		25	25	25
Rated Speed (rpm)		2000	1500	800
Max Speed (rpm)		3000	2300	1200
Torque constant (Nm/A)		1	0.9	1.8
Rotor inertia(Kg.cm <sup>2</sup> )		2.5	3.5	10
Back EMF coefficient(V/KRPM)		76.2	73	140
Resistance (Ω)		1.98	0.87	1
Inductance (mH)		5.56	2.6	3.2
Pole-pairs number (2P)		20	20	20
Weight (kg)		0.9	1.3	2.7
Size(mm)	L1(Stator stack height)	14	23	47
	L2(Rotor height)	15	24	48
	L3(Overall height)	25.9	35.9	60.9

### Specification & drawing

